
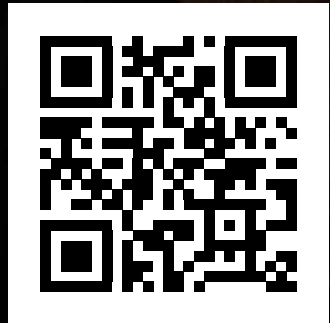




 **faber**

Gas | 2021/2022 



 WATCH NOW

That's what we did, that's what we do, and keep on doing.

*"We started 175 years ago.
Since then, it started to evolve.
We have grown to know fire.*

*Mastering the elements, building our knowledge,
continuously innovating.*

*The burning desire to push things forward.
We use our knowledge from the past, to look ahead.*

*We know the elements are shifting.
Storm, whirlwinds and earthquakes made us wiser.*

*Energy efficiency and mood are key.
Making our products sustainable and future proof.
Turning water into fire.
Using light to set the mood.*

*The fuel might change
but we always keep one thing on our mind.
We tell stories, and we connect people.*

*That's what we did, that's what we do
and that's what we will keep on doing in the future."*

Fire by
faber



Around a fire stories just keep coming

Together around the fire, familiar, comfortable. A good glass of wine, some nice music, the warmth around you, the light of the dancing flames. The stories come automatically. About what happened to you during the day, developments at work, news from friends and family. The stories from your past and your big dreams for the future. Things you don't usually share with others but that come so easy now, enveloped by warmth and trust. That's what a fire does for a person! Traditionally, fires were lit to keep the outside world at a distance. It's why a fire creates an atmosphere of intimacy and contact, where you listen to each other's stories.

A fire connects

Around a fire you share your holiday experiences with your friends, you tell your children a bedtime story, and you share your most intimate feelings with your loved one. A look is all you need, and together you enjoy peaceful silence, gazing at the flames, because you don't need words to understand each other. The fire of love, where better than in front of an open fire? That is where you experience the most beautiful moments and when you take time for each other. That is where you share your stories, full of passion and full of fire.

That is where you share your stories, full of passion and full of fire.





Faber means **175 years of quality**

The connective and soothing effect of an open fire is our passion. We are always looking for the best and most beautiful solutions, because we want our connoisseurs to enjoy an astonishing flame effect. We strive for the same warmth and urge for quality in our contact with those around us. Our fires have been developed and produced in the Netherlands for devotees all over the world for more than 175 years. Today, Faber is part of the Irish family business Glen Dimplex, market leader in top-quality ambient electric fires. A strong and trusted combination, with a pure origin!

Faber's 'fire makers' are driven to produce the most beautiful ambient fires. Rooted in log fires, leading in gas fires and in the vanguard of fires with new fuels, such as (bio)propane, electricity or a hybrid form. With pure craftsmanship, knowledge and advanced technology, Faber is responsible for discoveries and patents that have become standard in the world of fires today, and for the future. Take our latest electric e-MatriX and e-BoX models for example, with their low-energy, zero emission fire produced thanks to a unique combination of cold water mist and state-of-the-art LED lighting. Or the MatriX Hybrid fires, in which LED technology enables up to 60% reduction in gas consumption and related heat production. This makes Faber a market leader in the transition to sustainable and future-proof ambient fires. Patented discoveries which are proof that the 'making' of beautiful and responsible ambient fires is in our DNA. And our pride and passion!

In other words: 'making' ambient fires is part of Faber's DNA. And our pride and passion!

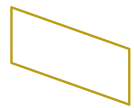


A Faber fire

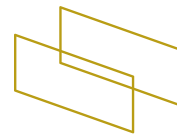
to suit your needs?

Faber offers a wide range of fires, in many different models and finishes. So you can always find a fire in keeping with your lifestyle and wishes. We'll be pleased to help. Using our selection guide on the Faber website for example. This will help you find the best Faber fire for your needs, in simple steps!

Choose the model



1-Sided



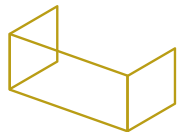
See-through



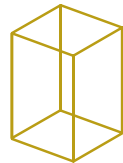
2-Sided



Room divider



3-Sided



Freestanding

Choose from the various options

Decoration

There are various options for fires, depending on your choice of model. In MatriX fires you are free to choose your favourite decoration.

Log set



White pebble



Lighting

HPL



Symbio®



The options available per fire are given at the end of the brochure.



The heart of every Faber fire

The burner

The familiar and loved fire effect of our gas fires starts with our burners. It's a Faber speciality, based on years of in-house development and experience. With lots of patents as a result. Together with the decorations, such as a log set, the burner determines the 'character' of the fire you look at; broadly spread in the fire, or in the middle, stretched out or vertical, more dynamic or really calm.

It's a matter of taste!



The Faber app

For perfect control

The Faber app gives you complete control of your (e-)MatriX fire, 'simply' via your own smartphone or tablet. All fire functions and settings, from flame height to embers lighting (optional) or the standard electric additional heating feature. Or create your own personal setting and save it as your favourite! All using a Bluetooth connection, therefore completely secure. The Faber app also tracks the usage history and service needs and can register when maintenance is required. This information helps the Faber specialist to carry out maintenance more efficiently. And so your fire always stays in tiptop condition.



No natural gas connection

but you'd love a gas fire? No problem!

You no longer have a permanent gas connection or you'd rather not be dependent on one, but you'd still like a gas fire in your home? No problem! All Faber gas fires are suitable immediately for use on propane gas or (bio)propane gas. The gas does not come via the gas pipe to the gas fire, but through smartly connected gas bottles. If you would like to find out more about the options of propane or biopropane, please take a look at the Faber website at: **faberfires.com**



Inset depth

Flexible application

When you insert a Faber fire from the (e)MatriX series, you have a choice of having the fire and frame inset, or to have the glass of the fire flush with the material of the surround. Each Faber (e)MatriX fireplace is supplied standard with a black steel in 50 millimetres wide, depending on the model and your preference. The MatriX gas fires also offer the option of a depth frame of 30 or 100 millimeters.



Faber MatriX series

maximum freedom of choice

The MatriX series offers the best of Faber. As the name 'MatriX' suggests, there is maximum freedom of choice to create the fire that fits your personal taste and interior design. At the same time, you can count on the best quality that Faber has to offer. For fans of open fires who want to add maximum value to their interior décor and living environment.

Create your own fireplace

The MatriX series is 'modular' in composition, so that you can offer your customer a step-by-step choice of dimensions, the numbers of sides to experience the fire, the decoration, the finish and more. Even the fuel is a choice: all gas versions can be set to natural gas, propane or (bio)propane, including the MatriX Hybrid. Or would you prefer the emission-free electric version, the e-MatriX?

The distinctive (e-)MatriX series has won numerous international awards.





Matrix
HYBRID

Matrix Hybrid Fires

The Matrix Hybrid has impressively intense and rich flames which cannot be matched by a standard gas-fired ambient fireplace. The unique combination of gas and the 'HPL' LED optics also means reduced consumption of gas, and less CO2 and his emissions, of up to 60%. This makes the Matrix Hybrid also particularly suitable for modern, well insulated housing. Simply adjust the atmosphere using the app or the remote control and enjoy your fire any day of the year.



Faber Log Burner® 3.0

the future standard

The new Log Burner® 3.0 is the latest Faber development, and is truly innovative in efficient, hybrid burner technology. The burner tubes are no longer straight and round, but rather follow the natural contours of the wood logs. This gives the wood set an amazingly realistic look, and the flames flicker in precisely the right place. The Multi-Step switch distributes the flames accurately over the 7 burners, to give a number of fascinating flame patterns. What's more, this burner is suitable for the LED technology of the (optional) HPL module. This combination results in a uniquely full and lavish fire and ember bed, while reducing gas consumption and heat production by more than half! The main functions can be simply operated using the remote control supplied, the app offers extra operating functions.



Hybrid Pro Light Module

New light on a gas fire

Faber never stops developing, and that certainly applies to our gas fires. For beautiful full flames in the right place, with glowing logs and a warm red glow. A place where you can let your eyes wander. At the same time, we strive to create an impressive, rich ambient fire with the lowest possible gas consumption and heat production, in view of the proper insulation of modern houses. That requires craftsmanship!

Our latest development in this area is the Hybrid Pro Light Module. An innovation that literally throws a completely new light on the future of gas fires. With this ingenious system of LED light projection across the heart of the gas fire, the Faber fire masters have managed to create an incredibly fascinating and complete effect of flames and lively sparkling logs and coals, even at the lowest setting. As if you are looking directly into a fire burning at full capacity, but with just half of the gas consumption and the corresponding heat production!

Even without flames, the warm glow of the smart 'HPL module' is bewitchingly real. Combining the best of gas and light. And truly of our time, as we want to enjoy our fires responsibly. The Hybrid Pro Light Module is available as an option on our Hybrid models and is operated via the app.



Matrix
HYBRID

HYBRID FIRE

Matrix | 800/500

Model also available as an electric version





HYBRID FIRE

MatriX | 800/500 I

B

Model	Front model
Burner	Log Burner 3.0
Exterior dimensions WxHxD in mm	943 x 1023 x 574
Fire display WxHxD in mm	800 x 500
Decoration	Log set
Embers (option)	HPL Module
Interior	Rear wall smooth steel
Operating system	Honeywell
Nominal output (kW)	10,1
Flue material	130/200

Options:

Inset depth 30 mm	Non-reflective glass
Inset depth 100 mm	Adjustable feet
HPL Module	Wall bracket
Black glass rear wall	



HYBRID FIRE

MatriX | 800/500 II

B

Model	Two-sided model
Burner	Log Burner 3.0
Exterior dimensions WxHxD in mm	992 x 1023 x 574
Fire display WxHxD in mm	837 x 500 x 383
Decoration	Log set
Embers (option)	HPL Module
Interior	Rear wall smooth steel
Operating system	Honeywell
Nominal output (kW)	10,1
Flue material	130/200

Options:

Inset depth 30 mm	Non-reflective glass
Inset depth 100 mm	Adjustable feet
HPL Module	Wall bracket
Black glass rear wall	



HYBRID FIRE

MatriX | 800/500 III

B

Model	Three-sided model
Burner	Log Burner 3.0
Exterior dimensions WxHxD in mm	1040 x 1023 x 574
Fire display WxHxD in mm	872 x 500 x 383
Decoration	Log set
Embers (option)	HPL Module
Interior	Rear wall smooth steel
Operating system	Honeywell
Nominal output (kW)	10,1
Flue material	130/200

Options:

Inset depth 30 mm	Non-reflective glass
Inset depth 100 mm	Adjustable feet
HPL Module	Wall bracket
Black glass rear wall	



Matrix
HYBRID

HYBRID FIRE

Matrix | 800/500

Model also available as an electric version





HYBRID FIRE

MatriX | 800/500 RD

B

Model	Room divider
Burner	Log Burner 3.0
Exterior dimensions WxHxD in mm	1354 x 1057 x 598
Fire display WxHxD in mm	850 x 500 x 400
Decoration	Log set
Embers (option)	HPL Module
Interior	Rear wall smooth steel
Operating system	Honeywell
Nominal output (kW)	10,7
Flue material	130/200

Options:

HPL Module	Non-reflective glass
Black glass rear wall	Adjustable feet



HYBRID FIRE

MatriX | 800/500 ST

B

Model	See-through
Burner	Log Burner 3.0
Exterior dimensions WxHxD in mm	1301 x 1057 x 598
Fire display WxHxD in mm	821 x 500
Decoration	Log set
Embers (option)	HPL Module
Interior	Rear wall smooth steel
Operating system	Honeywell
Nominal output (kW)	10,7
Flue material	130/200

Options:

HPL Module	Non-reflective glass
Black glass rear wall	Adjustable feet



Matrix
HYBRID

HYBRID FIRE

Matrix | 800/650

Model also available as an electric version





HYBRID FIRE

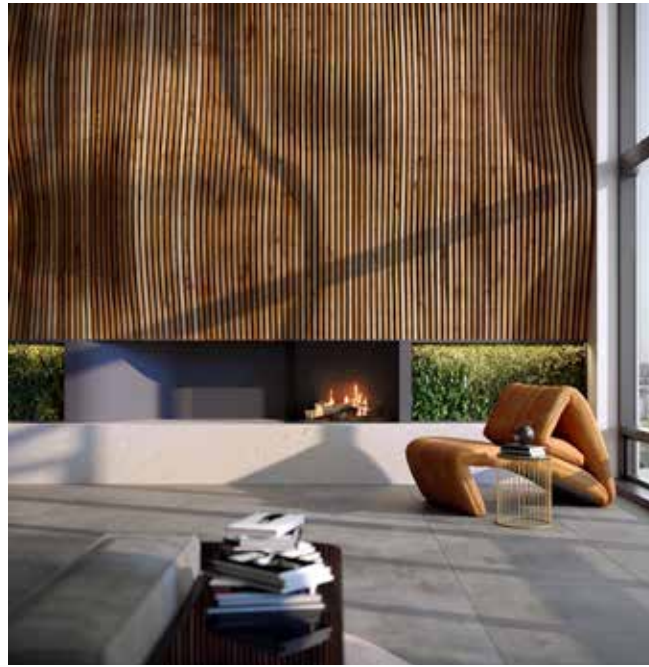
MatriX | 800/650 I

B

Model	Front model
Burner	Log Burner 3.0
Exterior dimensions WxHxD in mm	943 x 1173 x 574
Fire display WxHxD in mm	800 x 650
Decoration	Log set
Embers (option)	HPL Module
Interior	Rear wall smooth steel
Operating system	Honeywell
Nominal output (kW)	10,3
Flue material	130/200

Options:

Inset depth 30 mm	Non-reflective glass
Inset depth 100 mm	Adjustable feet
HPL Module	Wall bracket
Black glass rear wall	



HYBRID FIRE

MatriX | 800/650 II

B

Model	Two-sided model
Burner	Log Burner 3.0
Exterior dimensions WxHxD in mm	992 x 1173 x 574
Fire display WxHxD in mm	837 x 650 x 383
Decoration	Log set
Embers (option)	HPL Module
Interior	Rear wall smooth steel
Operating system	Honeywell
Nominal output (kW)	10,3
Flue material	130/200

Options:

Inset depth 30 mm	Non-reflective glass
Inset depth 100 mm	Adjustable feet
HPL Module	Wall bracket
Black glass rear wall	



HYBRID FIRE

MatriX | 800/650 III

B

Model	Three-sided model
Burner	Log Burner 3.0
Exterior dimensions WxHxD in mm	1040 x 1173 x 574
Fire display WxHxD in mm	872 x 650 x 383
Decoration	Log set
Embers (option)	HPL Module
Interior	Rear wall smooth steel
Operating system	Honeywell
Nominal output (kW)	10,3
Flue material	130/200

Options:

Inset depth 30 mm	Non-reflective glass
Inset depth 100 mm	Adjustable feet
HPL Module	Wall bracket
Black glass rear wall	



Matrix
HYBRID

HYBRID FIRE

Matrix | 1050/500

Model also available as an electric version





HYBRID FIRE

MatriX | 1050/500 I

B

Model	Front model
Burner	Log Burner 3.0
Exterior dimensions WxHxD in mm	1193 x 1023 x 574
Fire display WxHxD in mm	1050 x 500
Decoration	Log set
Embers (option)	HPL Module
Interior	Rear wall smooth steel
Operating system	Honeywell
Nominal output (kW)	10,0
Flue material	130/200

Options:

Inset depth 30 mm	Non-reflective glass
Inset depth 100 mm	Adjustable feet
HPL Module	Wall bracket
Black glass rear wall	



HYBRID FIRE

MatriX | 1050/500 II

B

Model	Two-sided model
Burner	Log Burner 3.0
Exterior dimensions WxHxD in mm	1242 x 1023 x 574
Fire display WxHxD in mm	1087 x 500 x 383
Decoration	Log set
Embers (option)	HPL Module
Interior	Rear wall smooth steel
Operating system	Honeywell
Nominal output (kW)	10,0
Flue material	130/200

Options:

Inset depth 30 mm	Non-reflective glass
Inset depth 100 mm	Adjustable feet
HPL Module	Wall bracket
Black glass rear wall	



HYBRID FIRE

MatriX | 1050/500 III

B

Model	Three-sided model
Burner	Log Burner 3.0
Exterior dimensions WxHxD in mm	1290 x 1023 x 574
Fire display WxHxD in mm	1122 x 500 x 383
Decoration	Log set
Embers (option)	HPL Module
Interior	Rear wall smooth steel
Operating system	Honeywell
Nominal output (kW)	10,0
Flue material	130/200

Options:

Inset depth 30 mm	Non-reflective glass
Inset depth 100 mm	Adjustable feet
HPL Module	Wall bracket
Black glass rear wall	



Matrix
HYBRID

Interior decoration style

Holistic Harmony

This style has oriental influences. Back to the heart, harmony and simplicity at the basis. The exotic abundance in the warm details of the Matrix RD/ST fire really packs a punch.

HYBRID FIRE

Matrix | 1050/500

Model also available as an electric version





HYBRID FIRE

Matrix | 1050/500 RD

B

Model	Room divider
Burner	Log Burner 3.0
Exterior dimensions WxHxD in mm	1604 x 1057 x 598
Fire display WxHxD in mm	1100 x 500 x 400
Decoration	Log set
Embers (option)	HPL Module
Interior	Rear wall smooth steel
Operating system	Honeywell
Nominal output (kW)	10,7
Flue material	130/200

Options:

HPL Module	Non-reflective glass
Black glass rear wall	Adjustable feet



HYBRID FIRE

Matrix | 1050/500 ST

B

Model	See-through
Burner	Log Burner 3.0
Exterior dimensions WxHxD in mm	1551 x 1057 x 598
Fire display WxHxD in mm	1071 x 500
Decoration	Log set
Embers (option)	HPL Module
Interior	Rear wall smooth steel
Operating system	Honeywell
Nominal output (kW)	10,7
Flue material	130/200

Options:

HPL Module	Non-reflective glass
Black glass rear wall	Adjustable feet



Matrix
HYBRID

HYBRID FIRE

Matrix | 1050/650

Model also available as an electric version





HYBRID FIRE

MatriX | 1050/650 I

B

Model	Front model
Burner	Log Burner 3.0
Exterior dimensions WxHxD in mm	1193 x 1173 x 574
Fire display WxHxD in mm	1050 x 650
Decoration	Log set
Embers (option)	HPL Module
Interior	Rear wall smooth steel
Operating system	Honeywell
Nominal output (kW)	10,1
Flue material	130/200

Options:

Inset depth 30 mm	Non-reflective glass
Inset depth 100 mm	Adjustable feet
HPL Module	Wall bracket
Black glass rear wall	



HYBRID FIRE

MatriX | 1050/650 II

B

Model	Two-sided model
Burner	Log Burner 3.0
Exterior dimensions WxHxD in mm	1242 x 1173 x 574
Fire display WxHxD in mm	1087 x 650 x 383
Decoration	Log set
Embers (option)	HPL Module
Interior	Rear wall smooth steel
Operating system	Honeywell
Nominal output (kW)	10,1
Flue material	130/200

Options:

Inset depth 30 mm	Non-reflective glass
Inset depth 100 mm	Adjustable feet
HPL Module	Wall bracket
Black glass rear wall	



HYBRID FIRE

MatriX | 1050/650 III

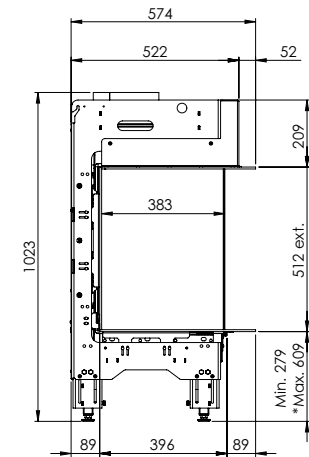
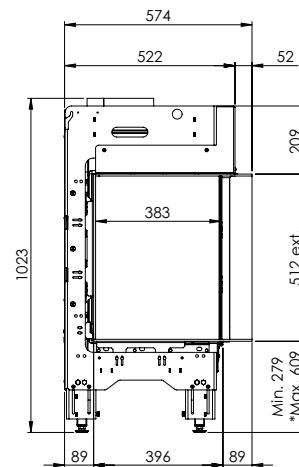
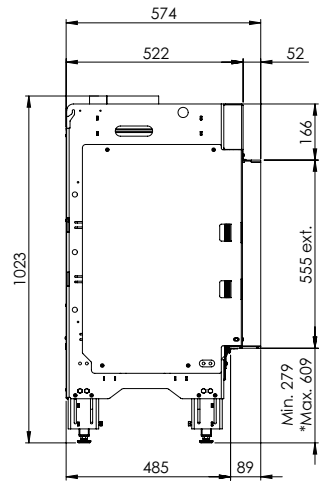
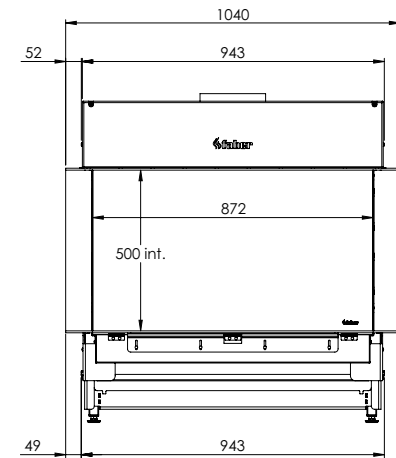
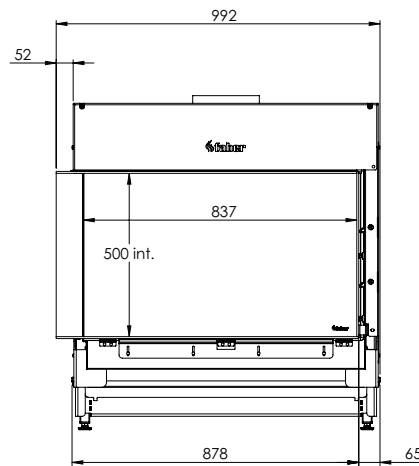
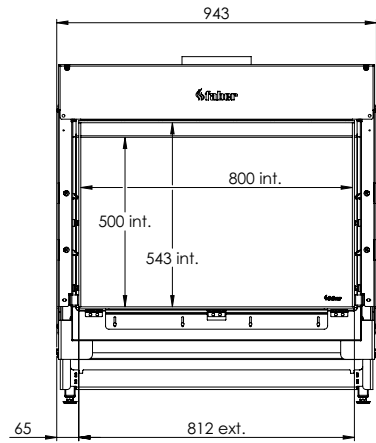
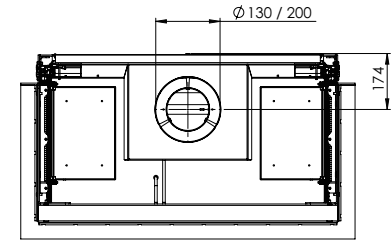
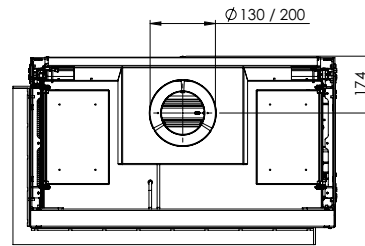
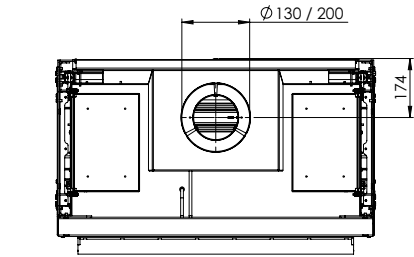
B

Model	Three-sided model
Burner	Log Burner 3.0
Exterior dimensions WxHxD in mm	1290 x 1173 x 574
Fire display WxHxD in mm	1122 x 650 x 383
Decoration	Log set
Embers (option)	HPL Module
Interior	Rear wall smooth steel
Operating system	Honeywell
Nominal output (kW)	10,1
Flue material	130/200

Options:

Inset depth 30 mm	Non-reflective glass
Inset depth 100 mm	Adjustable feet
HPL Module	Wall bracket
Black glass rear wall	

Line drawings **MatriX** | Hybrid



* Incl. optional adjustable feet

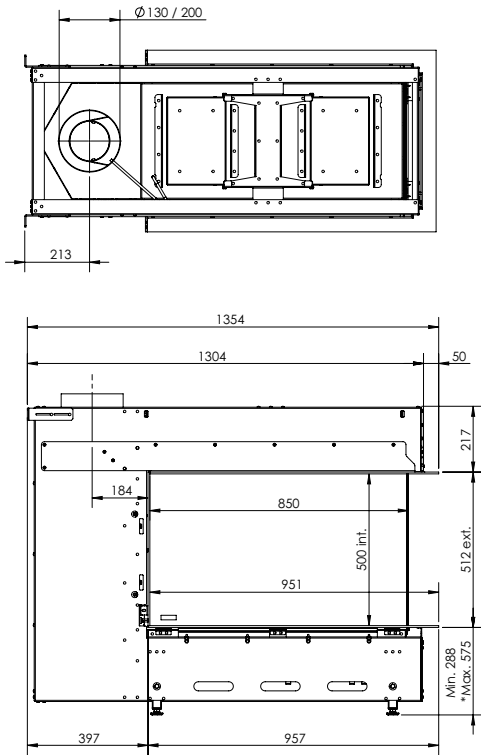
* Incl. optional adjustable feet

* Incl. optional adjustable feet

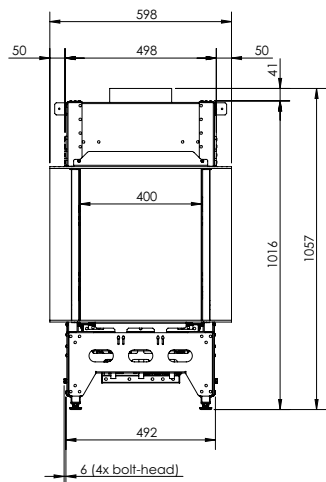
MatriX | 800/500 I

MatriX | 800/500 II

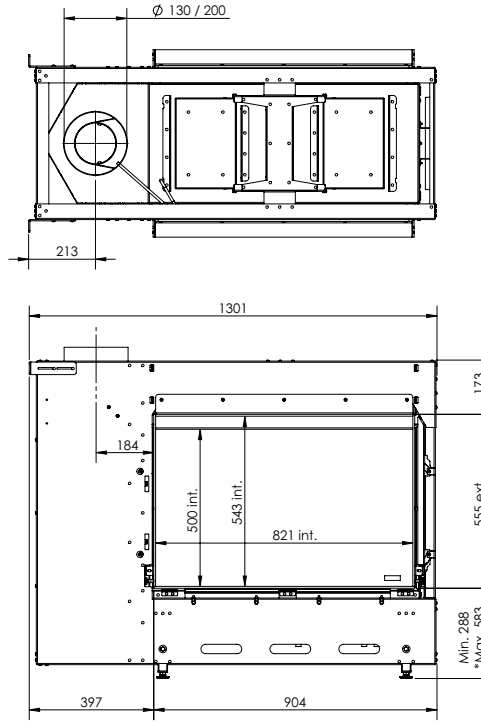
MatriX | 800/500 III



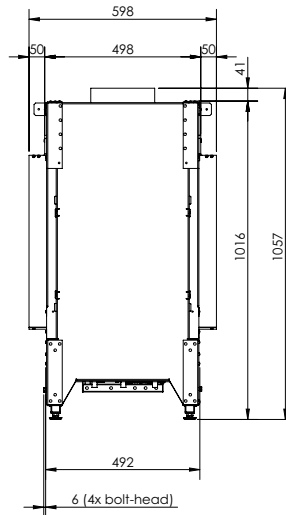
* Inc. optional adjustable feet



Matrix | 800/500 RD

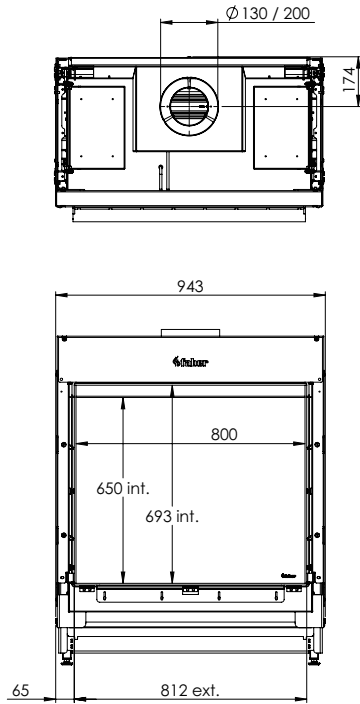


* Inc. optional adjustable feet



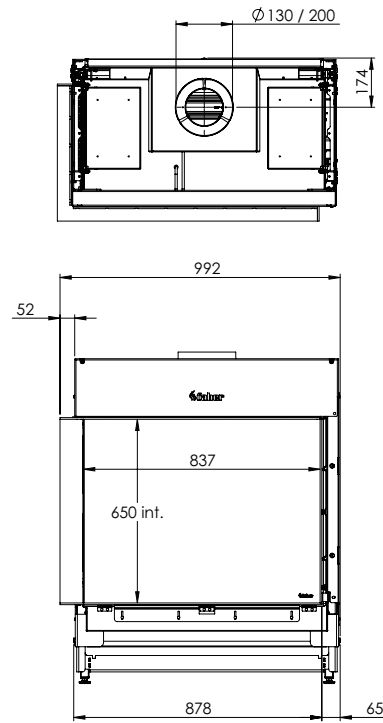
Matrix | 800/500 ST

Line drawings **MatriX** | Hybrid



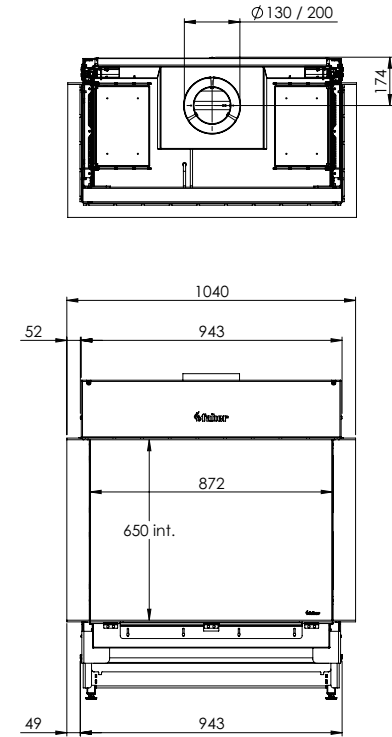
* Incl. optional adjustable feet

MatriX | 800/650 I



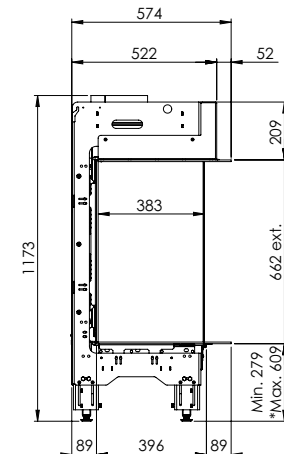
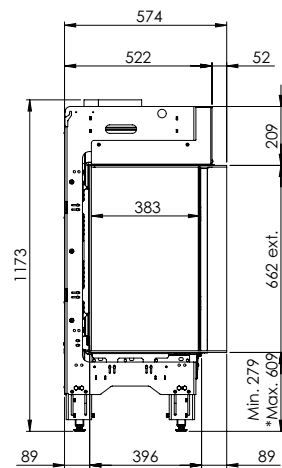
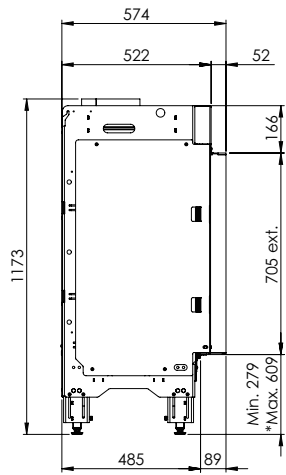
* Incl. optional adjustable feet

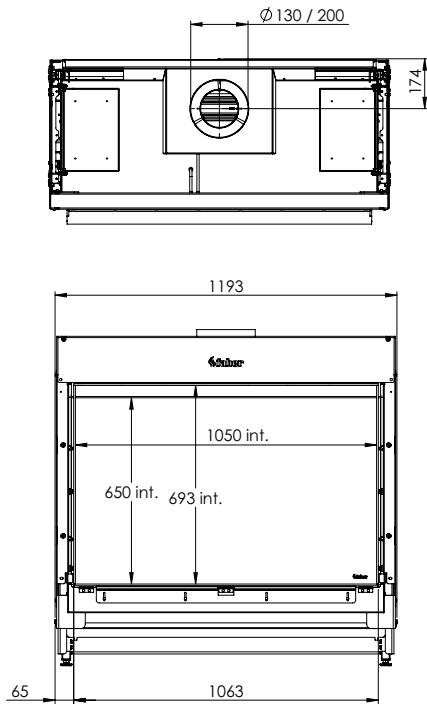
MatriX | 800/650 II



* Incl. optional adjustable feet

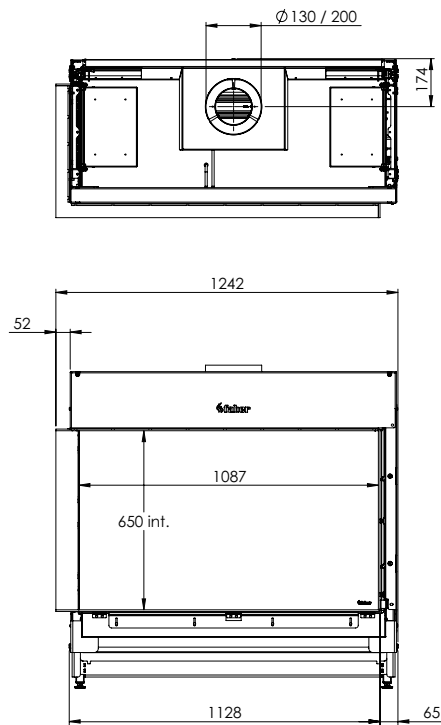
MatriX | 800/650 III





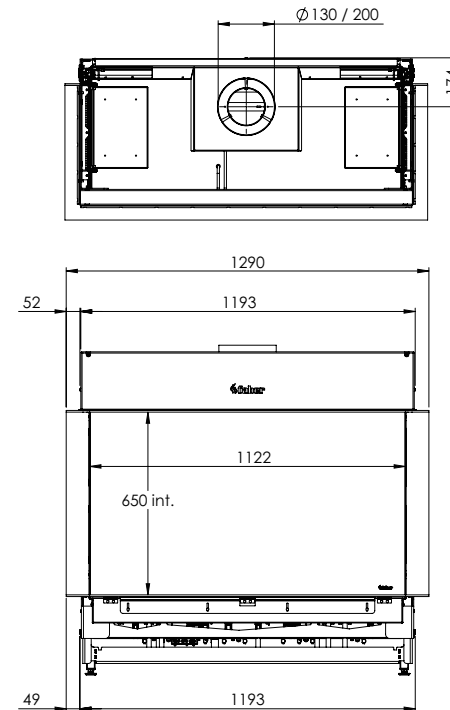
* Incl. optional adjustable feet

MatriX | 1050/650 I



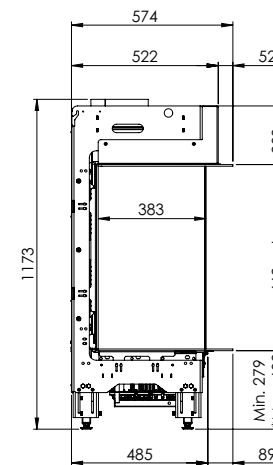
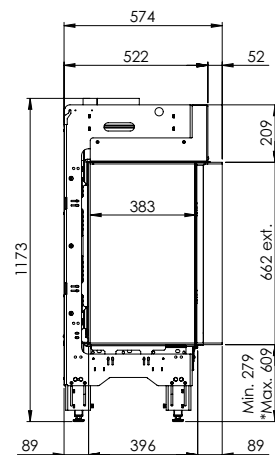
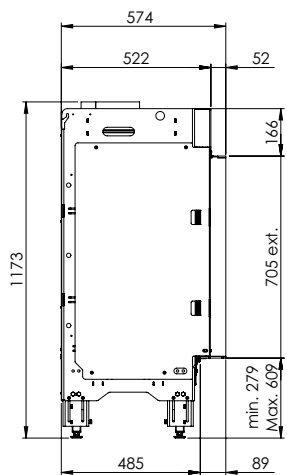
* Incl. optional adjustable feet

MatriX | 1050/650 II

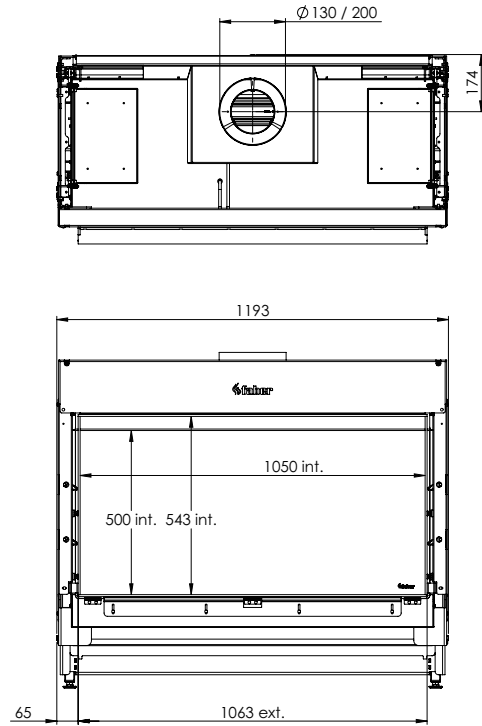


* Incl. optional adjustable feet

MatriX | 1050/650 III

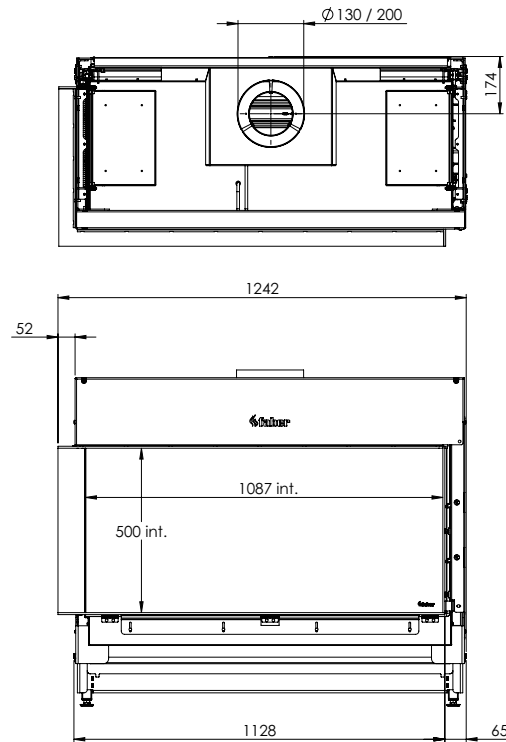


Line drawings **MatriX** | Hybrid



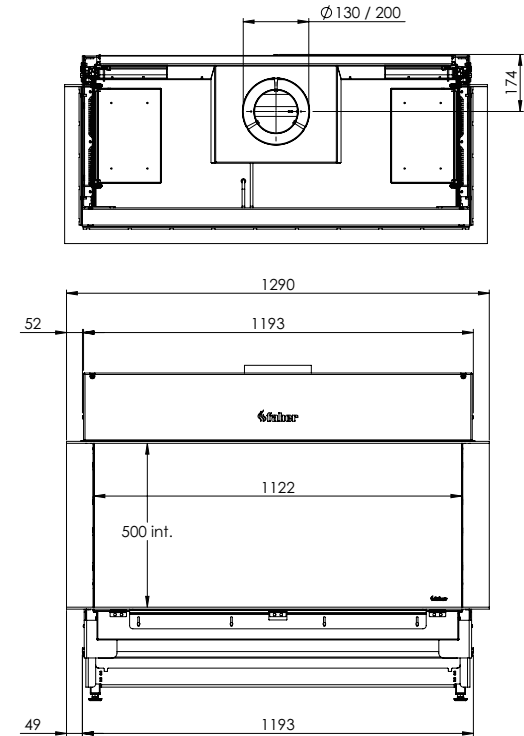
* Incl. optional adjustable feet

MatriX | 1050/500 I



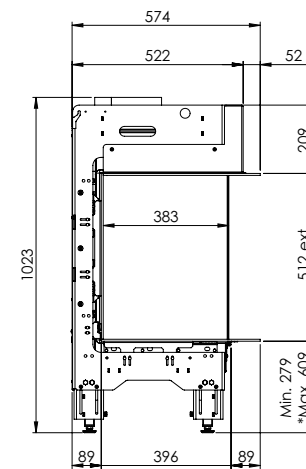
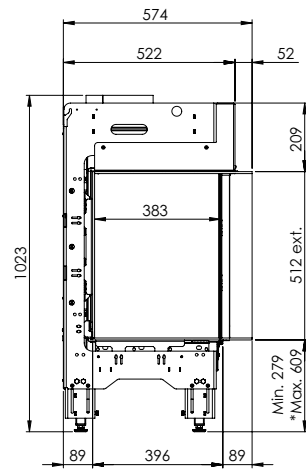
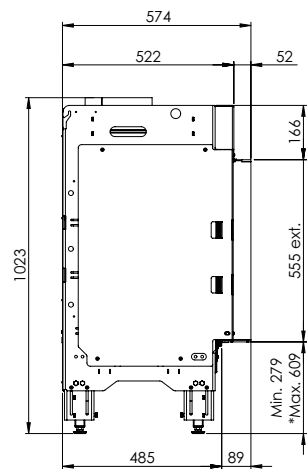
* Incl. optional adjustable feet

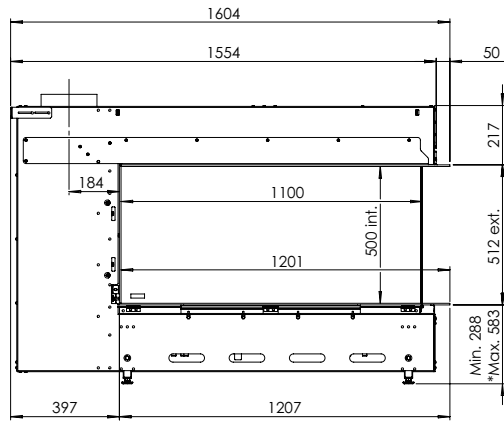
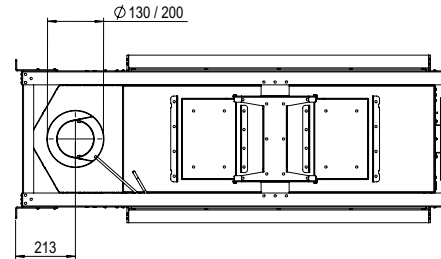
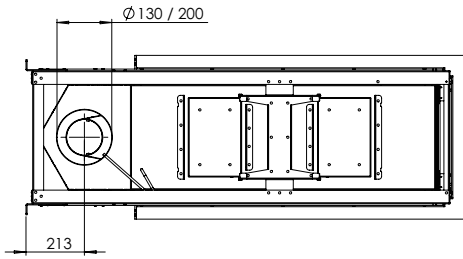
MatriX | 1050/500 II



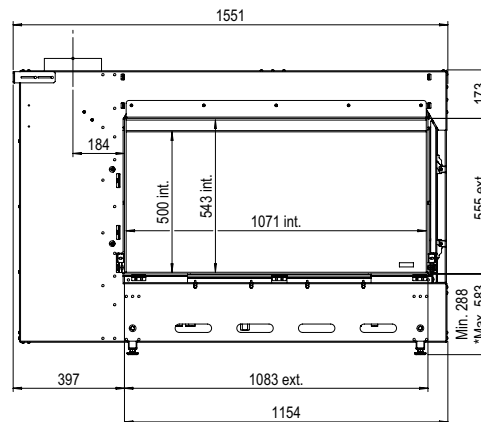
* Incl. optional adjustable feet

MatriX | 1050/500 III

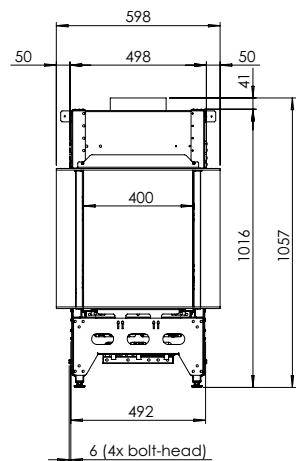




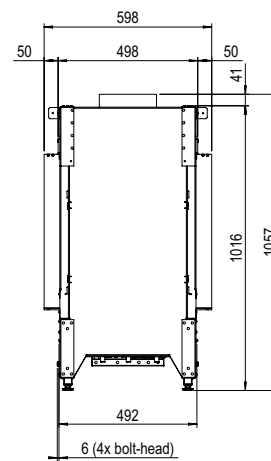
* Incl. optional adjustable feet



* Incl. optional adjustable feet



Matrix | 1050/500 RD



Matrix | 1050/500 ST



Matrix Linear

The Linear Fire models offer a lavish fire effect over almost the full width of the fire and that is true for every flame height. Even with a minimum heat output, the flames of this model look fabulous. There is a choice of three inset widths, three versions and various interior decorations.



Faber Double Line Burner

Wide, stretched out and calm

The fire of the Double Line Burner burns with regular and particularly full flames across the entire width of the fire. You can have the fire burn just at the front (single row) or at the back too (double row), for a full fire effect and extra heat. The fire starts up in just a few seconds and the height of the flames can be set with accuracy. For decoration there is a choice of beautiful, horizontal logs on a realistic bed of ash, a bed of stylish white Carrara pebbles. The main functions are easy to operate with the remote control that is supplied as standard. Additional functions are available using the Faber app, on your smartphone or tablet. The Faber Double Line Burner is exclusively for the models Matrix Linear Fires 800/400, 1050/400 and 1300/400.



Matrix
LINEAR

Interior decoration style

Pastoral Poetry

This idyllic and chic, rustic style oozes warmth and cosiness. Natural materials, dried grasses combined with Indigo hues make nature lovers feel at home.

LINEAR FIRE

Matrix | 800/400

Model also available as an electric version





LINEAR FIRE

MatriX | 800/400 I

B

Model	Front model
Burner	Double Line Burner
Exterior dimensions WxHxD in mm	933 x 827 x 452
Fire display WxHxD in mm	800 x 400
Decoration (option)	Log set White pebbles
Interior	Rear wall smooth steel
Operating system	Honeywell
Nominal output (kW)	7.1
Flue material	130/200

Options:

Black glass rear wall	Adjustable feet
Non-reflective glass	Wall bracket



LINEAR FIRE

MatriX | 800/400 II

B

Model	Two-sided model
Burner	Double Line Burner
Exterior dimensions WxHxD in mm	987 x 827 x 452
Fire display WxHxD in mm	835 x 400 x 257
Decoration (option)	Log set White pebbles
Interior	Rear wall smooth steel
Operating system	Honeywell
Nominal output (kW)	7.1
Flue material	130/200

Options:

Black glass rear wall	Adjustable feet
Non-reflective glass	Wall bracket



LINEAR FIRE

MatriX | 800/400 III

B

Model	Three-sided model
Burner	Double Line Burner
Exterior dimensions WxHxD in mm	1040 x 827 x 452
Fire display WxHxD in mm	872 x 400 x 257
Decoration (option)	Log set White pebbles
Interior	Rear wall smooth steel
Operating system	Honeywell
Nominal output (kW)	7.1
Flue material	130/200

Options:

Black glass rear wall	Adjustable feet
Non-reflective glass	Wall bracket



Matrix
LINEAR

Interior decoration style

Botanical Board

This industrial style gives a fresh yet cosy look.
A natural, functional base inspired by studio designs.
Personal treasures are displayed in charming,
industrial cabinets.

LINEAR FIRE

Matrix | 1050/400

Model also available as an electric version





LINEAR FIRE

MatriX | 1050/400 I

A

Model	Front model
Burner	Double Line Burner
Exterior dimensions WxHxD in mm	1183 x 827 x 452
Fire display WxHxD in mm	1050 x 400
Decoration (option)	Log set White pebbles
Interior	Rear wall smooth steel
Operating system	Honeywell
Nominal (kW)	8.7
Flue material	130/200

Options:

Black glass rear wall	Adjustable feet
Non-reflective glass	Wall bracket



LINEAR FIRE

MatriX | 1050/400 II

A

Model	Two-sided model
Burner	Double Line Burner
Exterior dimensions WxHxD in mm	1237 x 827 x 452
Fire display WxHxD in mm	1085 x 400 x 257
Decoration (option)	Log set White pebbles
Interior	Rear wall smooth steel
Operating system	Honeywell
Nominal (kW)	8.7
Flue material	130/200

Options:

Black glass rear wall	Adjustable feet
Non-reflective glass	Wall bracket



LINEAR FIRE

MatriX | 1050/400 III

A

Model	Three-sided model
Burner	Double Line Burner
Exterior dimensions WxHxD in mm	1290 x 827 x 452
Fire display WxHxD in mm	1122 x 400 x 257
Decoration (option)	Log set White pebbles
Interior	Rear wall smooth steel
Operating system	Honeywell
Nominal (kW)	8.7
Flue material	130/200

Options:

Black glass rear wall	Adjustable feet
Non-reflective glass	Wall bracket



MatrixX
LINEAR

Interior decoration style

Space Scene

This modern and futuristic interior has a subtle hint of stars and planets. The long horizontal lines and neon lighting give a luxurious and spacious effect.

LINEAR FIRE

MatrixX | 1300/400

Model also available as an electric version





LINEAR FIRE

Matrix | 1300/400 I

B

Model	Front model
Burner	Double Line Burner
Exterior dimensions WxHxD in mm	1433 x 827 x 452
Fire display WxHxD in mm	1300 x 400
Decoration (option)	Log set White pebbles
Interior	Rear wall smooth steel
Operating system	Honeywell
Nominal output (kW)	10.5
Flue material	130/200

Options:

Black glass rear wall	Adjustable feet
Non-reflective glass	Wall bracket



LINEAR FIRE

Matrix | 1300/400 II

B

Model	Two-sided model
Burner	Double Line Burner
Exterior dimensions WxHxD in mm	1487 x 827 x 452
Fire display WxHxD in mm	1335 x 400 x 257
Decoration (option)	Log set White pebbles
Interior	Rear wall smooth steel
Operating system	Honeywell
Nominal output (kW)	10.5
Flue material	130/200

Options:

Black glass rear wall	Adjustable feet
Non-reflective glass	Wall bracket



LINEAR FIRE

Matrix | 1300/400 III

B

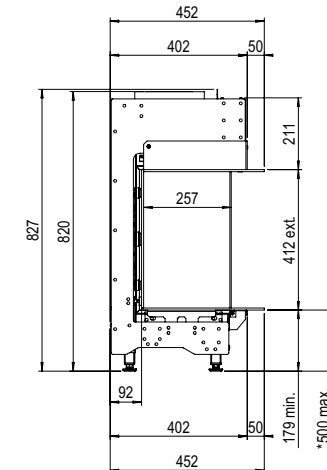
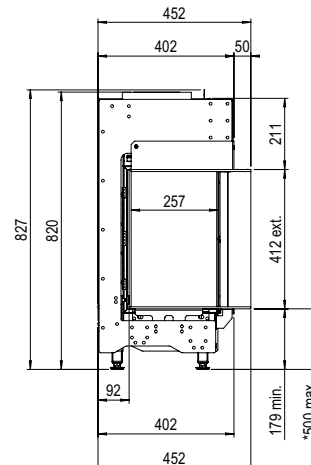
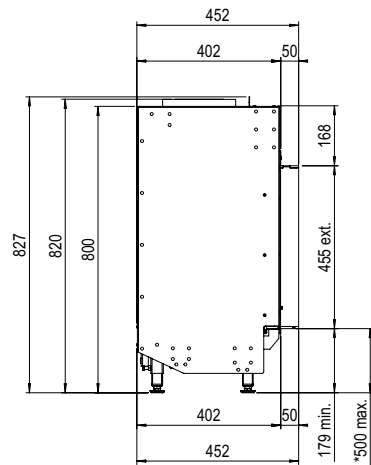
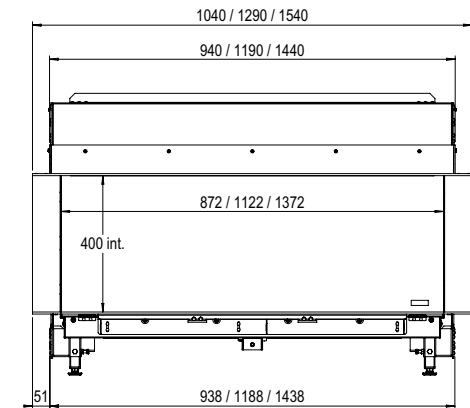
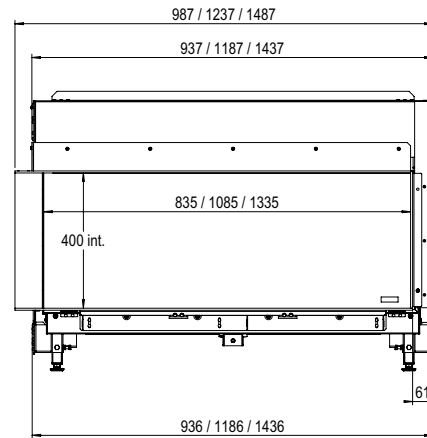
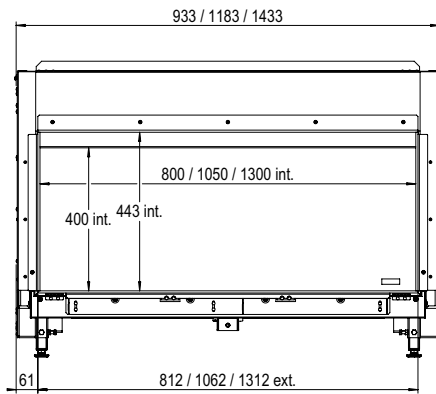
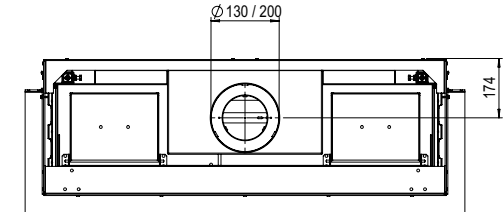
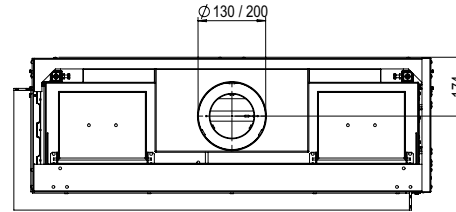
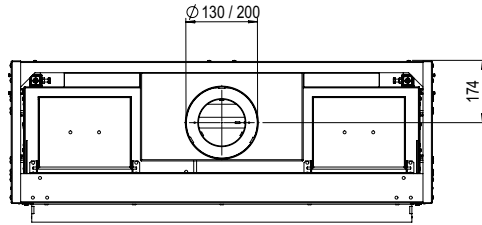
Model	Three-sided model
Burner	Double Line Burner
Exterior dimensions WxHxD in mm	1540 x 827 x 452
Fire display WxHxD in mm	1372 x 400 x 257
Decoration (option)	Log set White pebbles
Interior	Rear wall smooth steel
Operating system	Honeywell
Nominal output (kW)	10.5
Flue material	130/200

Options:

Black glass rear wall	Adjustable feet
Non-reflective glass	Wall bracket



Line drawings **MatriX** | Linear



* incl. optional adjustable feet

* incl. optional adjustable feet

* incl. optional adjustable feet

MatriX | 800/400 - 1050/400 - 1300/400 I

MatriX | 800/400 - 1050/400 - 1300/400 II

MatriX | 800/400 - 1050/400 - 1300/400 III





MatriX



MatriX Fires

The MatriX models can be recognised by the camp fire look of the logs or their tough horizontal logs (model RD/ST). A fire in the middle and all around too? The fire effect of our MatriX fires is incredibly realistic at any flame height. The choice of inset dimensions, versions or finishes meets the most wide-ranging living requirements.



Faber Log Burner® 2.0

The pure experience of a camp fire

The Log Burner® 2.0 brings memories of a flickering camp fire to life so amazingly realistically; with stacked logs in the middle, surrounded by lying blocks. You can choose to have the fire burn just in the middle, or all around too. The MatriX RD and ST have large, lying logs, where the flames can curl up on the outside or around the logs. The fire starts up in just a few seconds and the height of the flames can be set with accuracy. The ash bed is lit from below with glowing embers lighting. It makes the fire look full and rich, with a warm glow, even when the flames are set low. The glowing embers can also be switched on separately, like the last glowing embers of a fire. The main functions are easy to operate with the supplied remote control. Additional functions are available with the Faber ITC app, via your smartphone or tablet.



Glowing embers lighting

The atmosphere of red-glowing charcoal

For those who would like to do even more justice to the sense of glowing coals in a gas fire, or who would like to enjoy the embers of a glowing fire, Faber developed the 'Symbio®' light module. Symbio® sends pulsating, heat-free light to the coal bed above, making it glow a warm red. The light of the Symbio® module creates a warm atmosphere, particularly when the flames of the fire are turned down low, and even when the warm flames are completely switched off. The LED lighting makes this module low in energy and completely free of heat. Simply operate this option using the remote control of the fire or the Faber app. Symbio® is available for the entire MatriX series (gas).



Matrix

Interior decoration style

Urban Unity

This style is a bohemian melting pot of city and nature. A collection of vintage treasures, presented in warm brown, copper and natural tints.

Matrix | 450/500





MatriX | 450/500 III

A

Model	Three-sided model
Burner	Log Burner 2.0
Exterior dimensions WxHxD in mm	690 x 927 x 502
Fire display WxHxD in mm	522 x 500 x 308
Decoration	Log set
Embers (option)	Symbio®
Interior	Rear wall smooth steel
Operating system	Mertik
Nominal output (kW)	6.8
Flue material	100/150

Options:

ITC App	Symbio® Module
Black glass rear wall	Wall bracket
Non-reflective glass	Adjustable feet



Matrix

Matrix | 450/650





MatriX | 450/650 I

A

Model	Front model
Burner	Log Burner 2.0
Exterior dimensions WxHxD in mm	584 x 1077 x 497
Fire display WxHxD in mm	450 x 650
Decoration	Log set
Embers (option)	Symbio®
Interior	Rear wall smooth steel
Operating system	Mertik
Nominal output (kW)	6.8
Flue material	100/150

Options:

ITC App	Symbio® Module
Black glass rear wall	Wall bracket
Non-reflective glass	Adjustable feet



MatriX | 450/650 II

A

Model	Two-sided model
Burner	Log Burner 2.0
Exterior dimensions WxHxD in mm	637 x 1077 x 502
Fire display WxHxD in mm	485 x 650 x 308
Decoration	Log set
Embers (option)	Symbio®
Interior	Rear wall smooth steel
Operating system	Mertik
Nominal output (kW)	6.8
Flue material	100/150

Options:

ITC App	Symbio® Module
Black glass rear wall	Wall bracket
Non-reflective glass	Adjustable feet



MatriX | 450/650 III

A

Model	Three-sided model
Burner	Log Burner 2.0
Exterior dimensions WxHxD in mm	690 x 1077 x 502
Fire display WxHxD in mm	522 x 650 x 308
Decoration	Log set
Embers (option)	Symbio®
Interior	Rear wall smooth steel
Operating system	Mertik
Nominal output (kW)	6.8
Flue material	100/150

Options:

ITC App	Symbio® Module
Black glass rear wall	Wall bracket
Non-reflective glass	Adjustable feet



Matrix

Matrix | 800/500

Model also available as an electric version





MatriX | 800/500 I

B

Model	Front model
Burner	Log Burner 2.0
Exterior dimensions WxHxD in mm	943 x 1023 x 574
Fire display WxHxD in mm	800 x 500
Decoration	Log set
Embers (option)	Symbio®
Interior	Rear wall smooth steel
Operating system	Honeywell
Nominal output (kW)	8.1
Flue material	130/200

Options:

Inset depth 30 mm	Non-reflective glass
Inset depth 100 mm	Adjustable feet
Symbio® Module	Wall bracket
Black glass rear wall	



MatriX | 800/500 II

B

Model	Two-sided model
Burner	Log Burner 2.0
Exterior dimensions WxHxD in mm	992 x 1023 x 574
Fire display WxHxD in mm	837 x 500 x 383
Decoration	Log set
Embers (option)	Symbio®
Interior	Rear wall smooth steel
Operating system	Honeywell
Nominal output (kW)	8.1
Flue material	130/200

Options:

Inset depth 30 mm	Non-reflective glass
Inset depth 100 mm	Adjustable feet
Symbio® Module	Wall bracket
Black glass rear wall	



MatriX | 800/500 III

B

Model	Three-sided model
Burner	Log Burner 2.0
Exterior dimensions WxHxD in mm	1040 x 1023 x 574
Fire display WxHxD in mm	872 x 500 x 383
Decoration	Log set
Embers (option)	Symbio®
Interior	Rear wall smooth steel
Operating system	Honeywell
Nominal output (kW)	8.1
Flue material	130/200

Options:

Inset depth 30 mm	Non-reflective glass
Inset depth 100 mm	Adjustable feet
Symbio® Module	Wall bracket
Black glass rear wall	



Matrix

Interior decoration style

Delicate Desire

This contemporary style is characteristically modern with pure lines and geometric shapes. Lots of light, with powdery colours, warm and light fabrics, and a feel for nature.

Matrix | 800/500

Model also available as an electric version





MatriX | 800/500 RD (LL)

B

Model	Room divider
Burner	Log Burner 2.0
Exterior dimensions WxHxD in mm	1329 x 1024 x 592
Fire display WxHxD in mm	400 x 500 x 400
Decoration	Log set (Large logs)
Embers (option)	Symbio®
Interior	Rear wall smooth steel
Operating system	Honeywell
Nominal output (kW)	10.5
Flue material	130/200

Options:

Symbio® Module	Non-reflective glass
Black glass rear wall	Adjustable feet



MatriX | 800/500 ST (LL)

B

Model	See-through
Burner	Log Burner 2.0
Exterior dimensions WxHxD in mm	1267 x 1024 x 592
Fire display WxHxD in mm	800 x 500
Decoration	Log set (Large logs)
Embers (option)	Symbio®
Interior	Rear wall smooth steel
Operating system	Honeywell
Nominal output (kW)	10.5
Flue material	130/200

Options:

Symbio® Module	Non-reflective glass
Black glass rear wall	Adjustable feet



Matrix

Matrix | 800/650

Model also available as an electric version





MatriX | 800/650 I

B

Model	Front model
Burner	Log Burner 2.0
Exterior dimensions WxHxD in mm	943 x 1173 x 574
Fire display WxHxD in mm	800 x 650
Decoration	Log set
Embers (option)	Symbio®
Interior	Rear wall smooth steel
Operating system	Honeywell
Nominal output (kW)	10.0
Flue material	130/200

Options:

Inset depth 30 mm	Non-reflective glass
Inset depth 100 mm	Adjustable feet
Symbio® Module	Wall bracket
Black glass rear wall	



MatriX | 800/650 II

B

Model	Two-sided model
Burner	Log Burner 2.0
Exterior dimensions WxHxD in mm	992 x 1173 x 574
Fire display WxHxD in mm	837 x 650 x 383
Decoration	Log set
Embers (option)	Symbio®
Interior	Rear wall smooth steel
Operating system	Honeywell
Nominal output (kW)	10.0
Flue material	130/200

Options:

Inset depth 30 mm	Non-reflective glass
Inset depth 100 mm	Adjustable feet
Symbio® Module	Wall bracket
Black glass rear wall	



MatriX | 800/650 III

B

Model	Three-sided model
Burner	Log Burner 2.0
Exterior dimensions WxHxD in mm	1040 x 1173 x 574
Fire display WxHxD in mm	872 x 650 x 383
Decoration	Log set
Embers (option)	Symbio®
Interior	Rear wall smooth steel
Operating system	Honeywell
Nominal output (kW)	10.0
Flue material	130/200

Options:

Inset depth 30 mm	Non-reflective glass
Inset depth 100 mm	Adjustable feet
Symbio® Module	Wall bracket
Black glass rear wall	



Matrix

Daddy knows so much

"Daddy evening is what he calls it. Every Friday evening. In the back garden in summer and in winter the two of us in front of the fire. We enjoy 'construction projects' together. Sometimes it's Lego, sometimes it's a kit. He's growing up and the questions are becoming more difficult. To me he'll always be my little boy."

Matrix | 1050/500

Model also available as an electric version





MatriX | 1050/500 I

B

Model	Front model
Burner	Log Burner 2.0
Exterior dimensions WxHxD in mm	1193 x 1023 x 574
Fire display WxHxD in mm	1050 x 500
Decoration	Log set
Embers (option)	Symbio®
Interior	Rear wall smooth steel
Operating system	Honeywell
Nominal output (kW)	8.1
Flue material	130/200

Options:

Inset depth 30 mm	Non-reflective glass
Inset depth 100 mm	Adjustable feet
Symbio® Module	Wall bracket
Black glass rear wall	



MatriX | 1050/500 II

B

Model	Two-sided model
Burner	Log Burner 2.0
Exterior dimensions WxHxD in mm	1242 x 1023 x 574
Fire display WxHxD in mm	1087 x 500 x 383
Decoration	Log set
Embers (option)	Symbio®
Interior	Rear wall smooth steel
Operating system	Honeywell
Nominal output (kW)	8.1
Flue material	130/200

Options:

Inset depth 30 mm	Non-reflective glass
Inset depth 100 mm	Adjustable feet
Symbio® Module	Wall bracket
Black glass rear wall	



MatriX | 1050/500 III

B

Model	Three-sided model
Burner	Log Burner 2.0
Exterior dimensions WxHxD in mm	1290 x 1023 x 574
Fire display WxHxD in mm	1122 x 500 x 383
Decoration	Log set
Embers (option)	Symbio®
Interior	Rear wall smooth steel
Operating system	Honeywell
Nominal output (kW)	8.1
Flue material	130/200

Options:

Inset depth 30 mm	Non-reflective glass
Inset depth 100 mm	Adjustable feet
Symbio® Module	Wall bracket
Black glass rear wall	



Matrix

Matrix | 1050/650

Model also available as an electric version





MatriX | 1050/650 I

B

Model	Front model
Burner	Log Burner 2.0
Exterior dimensions WxHxD in mm	1193 x 1173 x 574
Fire display WxHxD in mm	1050 x 650
Decoration	Log set
Embers (option)	Symbio®
Interior	Rear wall smooth steel
Operating system	Honeywell
Nominal output (kW)	10.0
Flue material	130/200

Options:

Inset depth 30 mm	Non-reflective glass
Inset depth 100 mm	Adjustable feet
Symbio® Module	Wall bracket
Black glass rear wall	



MatriX | 1050/650 II

B

Model	Two-sided model
Burner	Log Burner 2.0
Exterior dimensions WxHxD in mm	1242 x 1173 x 574
Fire display WxHxD in mm	1087 x 650 x 383
Decoration	Log set
Embers (option)	Symbio®
Interior	Rear wall smooth steel
Operating system	Honeywell
Nominal output (kW)	10.0
Flue material	130/200

Options:

Inset depth 30 mm	Non-reflective glass
Inset depth 100 mm	Adjustable feet
Symbio® Module	Wall bracket
Black glass rear wall	



MatriX | 1050/650 III

B

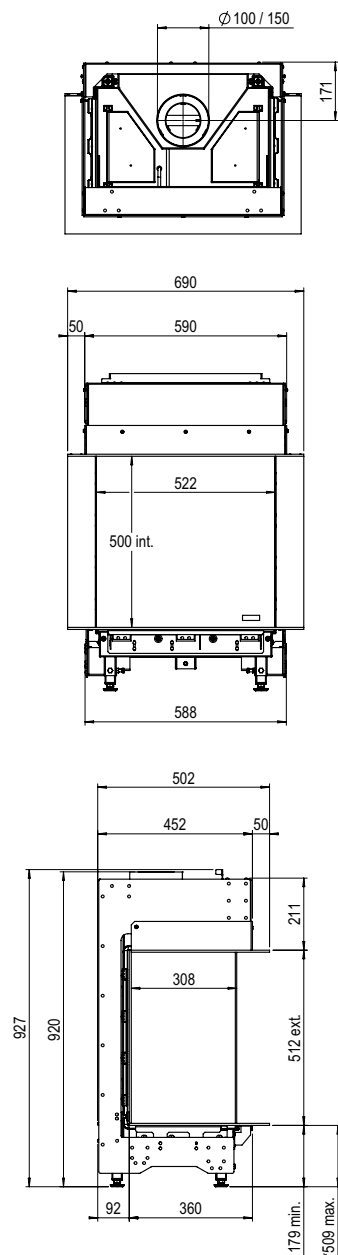
Model	Three-sided model
Burner	Log Burner 2.0
Exterior dimensions WxHxD in mm	1290 x 1173 x 574
Fire display WxHxD in mm	1122 x 650 x 383
Decoration	Log set
Embers (option)	Symbio®
Interior	Rear wall smooth steel
Operating system	Honeywell
Nominal output (kW)	10.0
Flue material	130/200

Options:

Inset depth 30 mm	Non-reflective glass
Inset depth 100 mm	Adjustable feet
Symbio® Module	Wall bracket
Black glass rear wall	

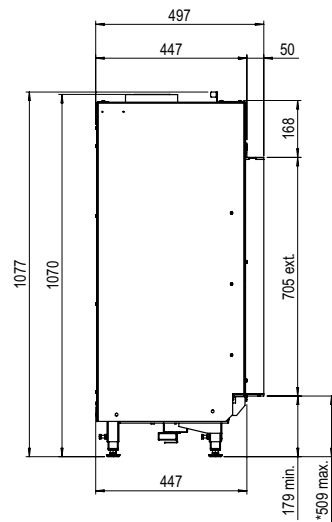
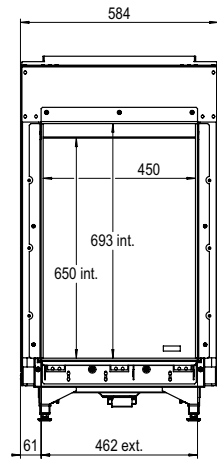
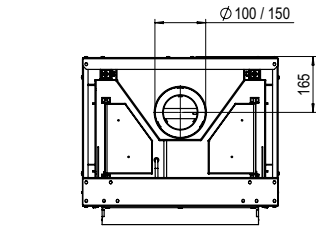


Line drawings **Matrix**



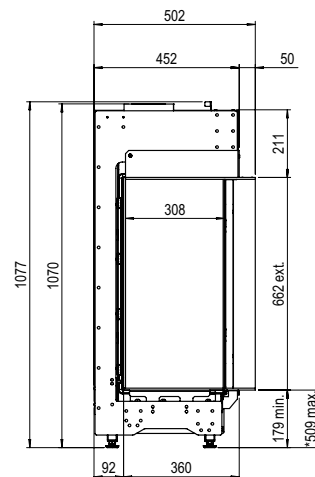
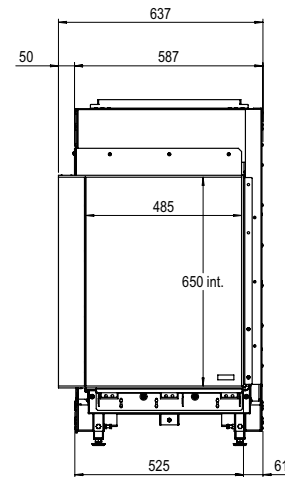
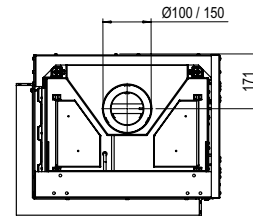
*Incl. optional adjustable feet

Matrix | 450/500 III



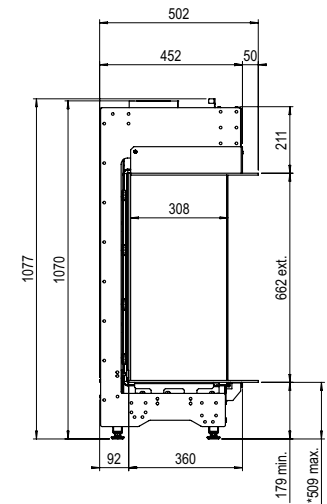
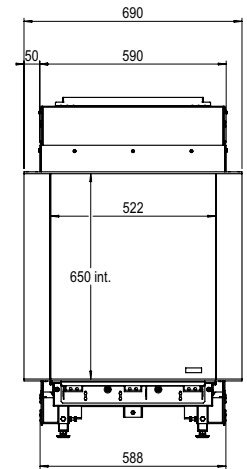
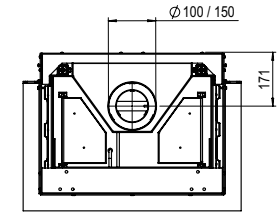
*Incl. optional adjustable feet

MatriX | 450/650 I



* Incl. optional adjustable feet

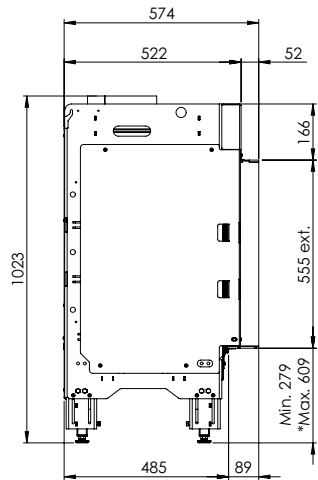
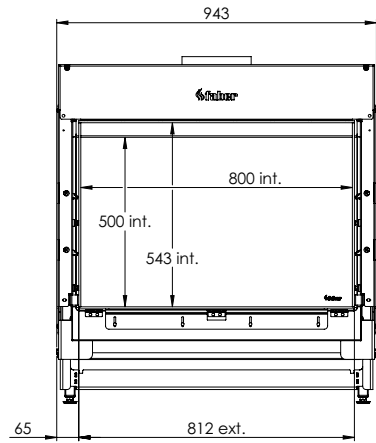
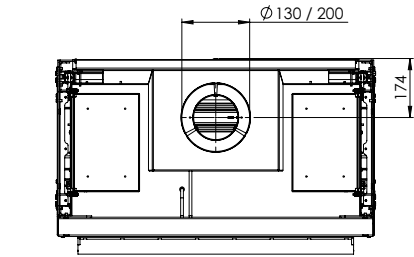
MatriX | 450/650 II



*Incl. optional adjustable feet

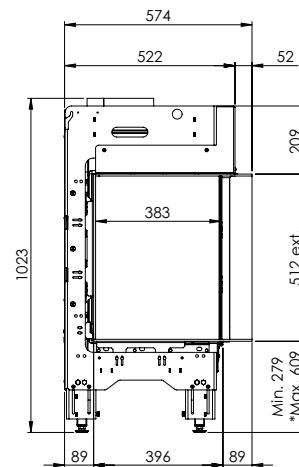
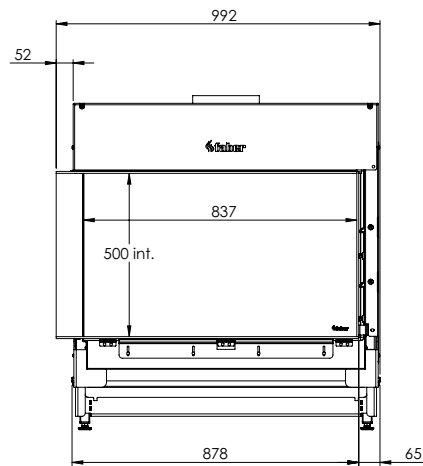
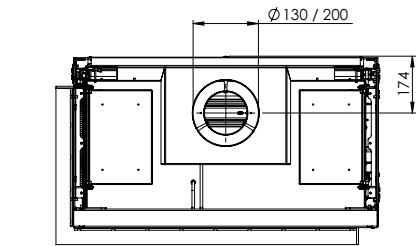
MatriX | 450/650 III

Line drawings **MatriX**



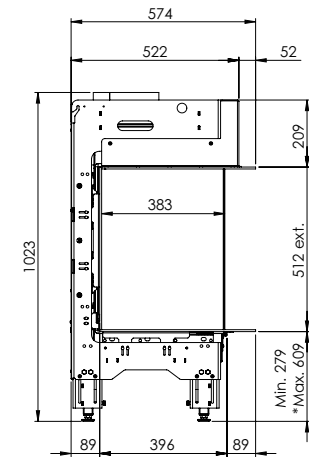
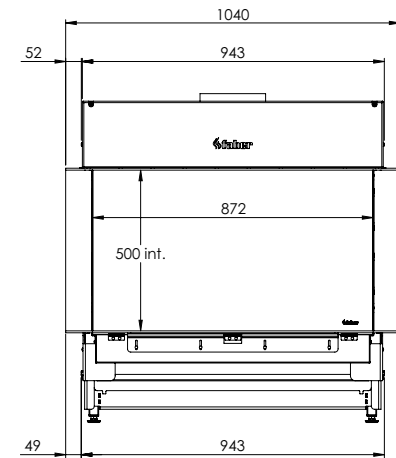
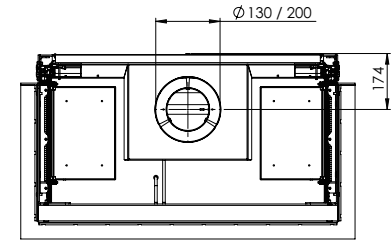
* Incl. optional adjustable feet

MatriX | 800/500 I



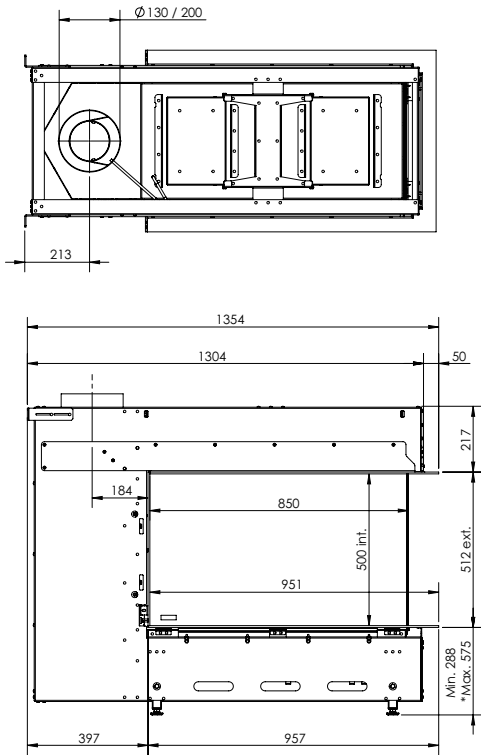
* Incl. optional adjustable feet

MatriX | 800/500 II

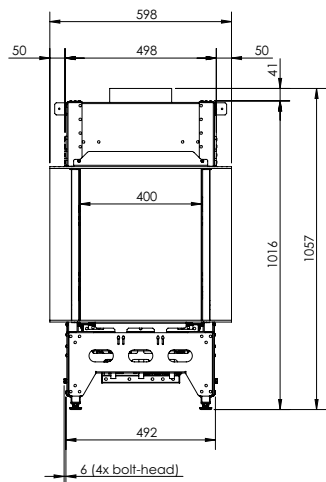


* Incl. optional adjustable feet

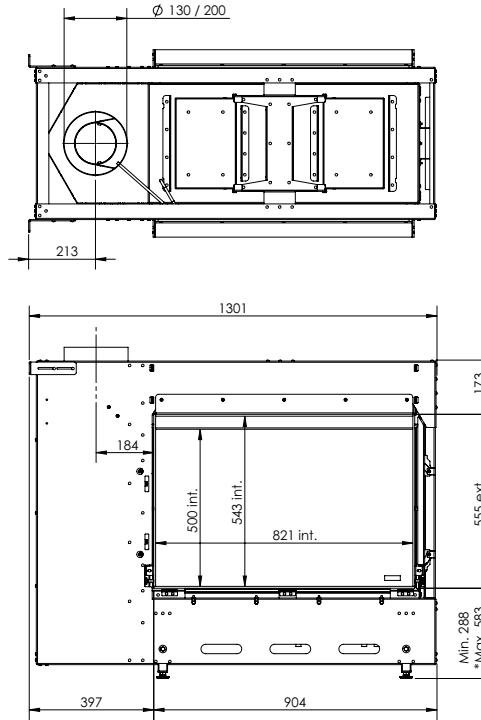
MatriX | 800/500 III



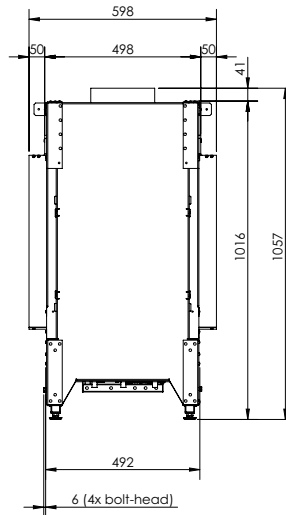
* Inc. optional adjustable feet



Matrix | 800/500 RD

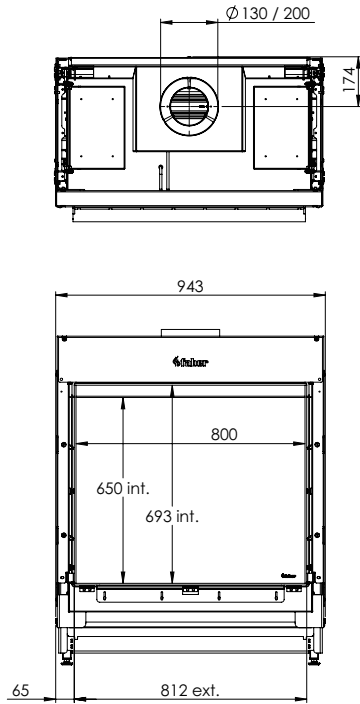


* Inc. optional adjustable feet



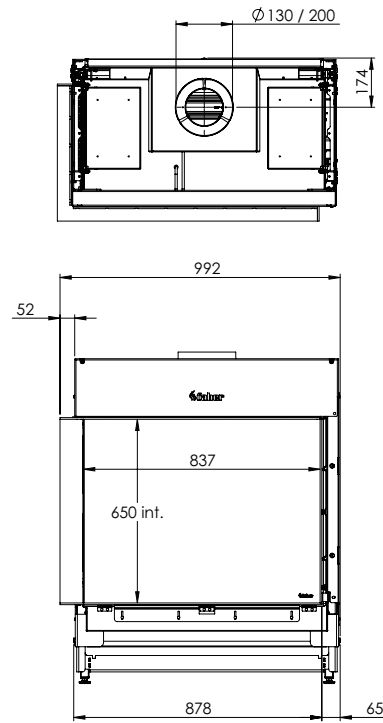
Matrix | 800/500 ST

Line drawings **MatriX**



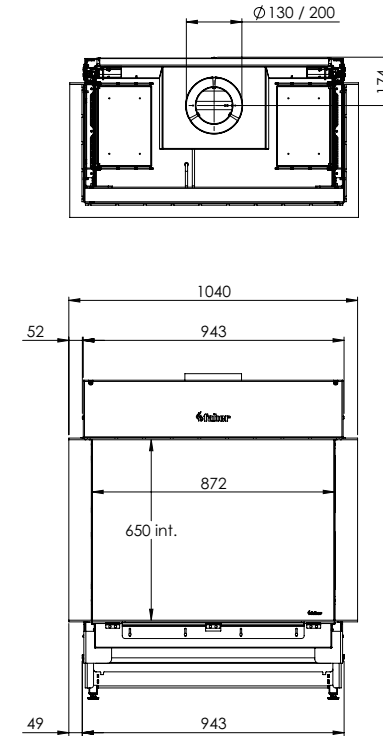
* Incl. optional adjustable feet

MatriX | 800/650 I



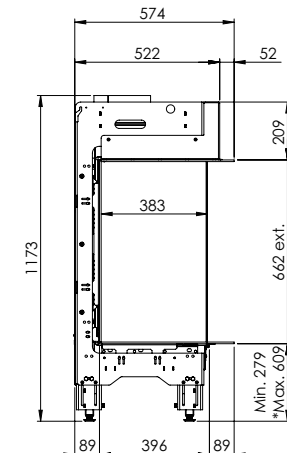
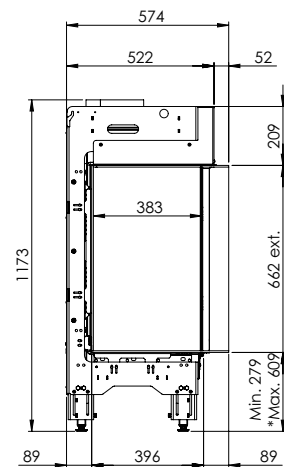
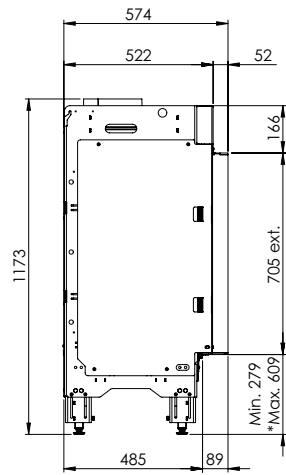
* Incl. optional adjustable feet

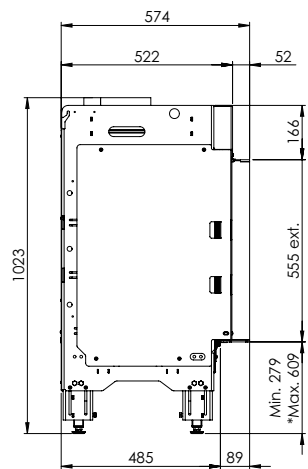
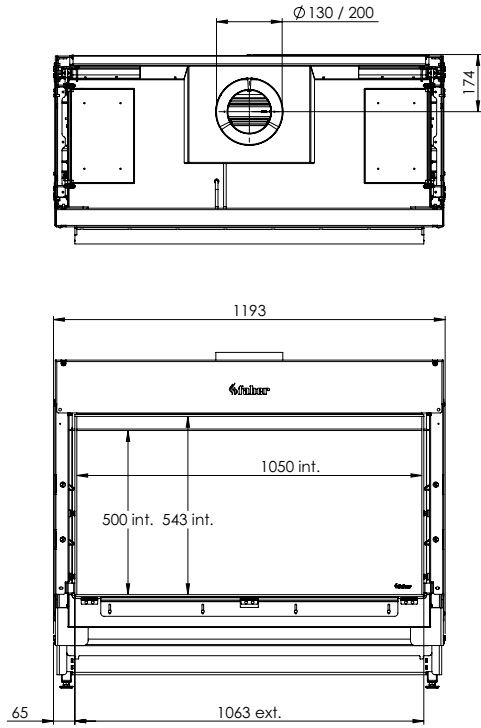
MatriX | 800/650 II



* Incl. optional adjustable feet

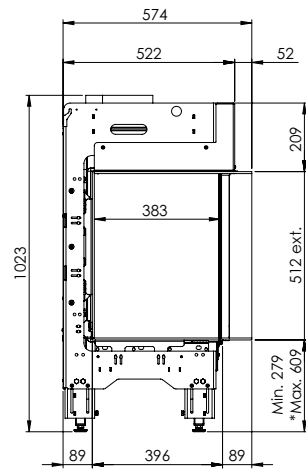
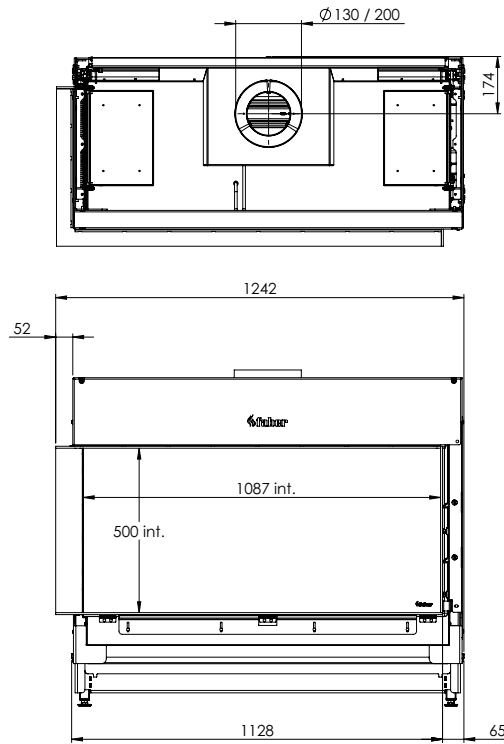
MatriX | 800/650 III





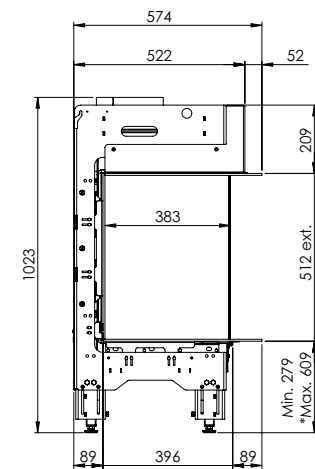
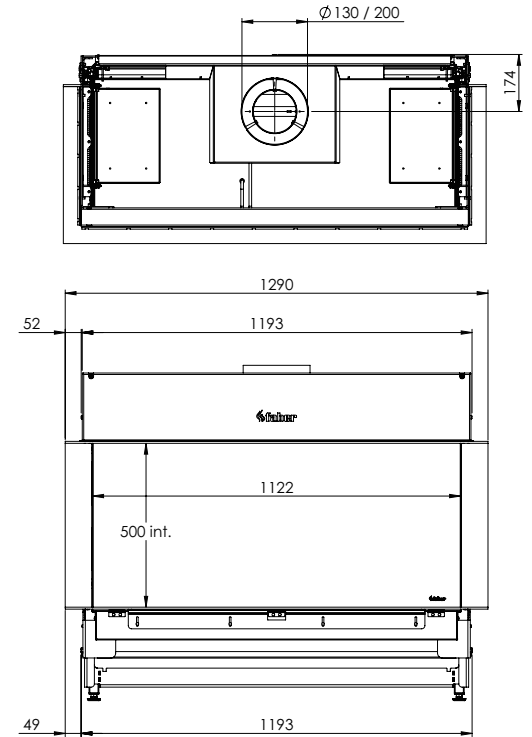
* Incl. optional adjustable feet

MatriX | 1050/500 I



* Incl. optional adjustable feet

MatriX | 1050/500 II

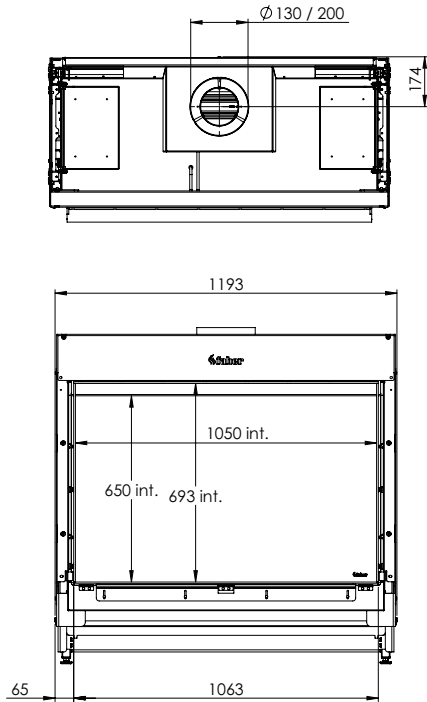


* Incl. optional adjustable feet

MatriX | 1050/500 III

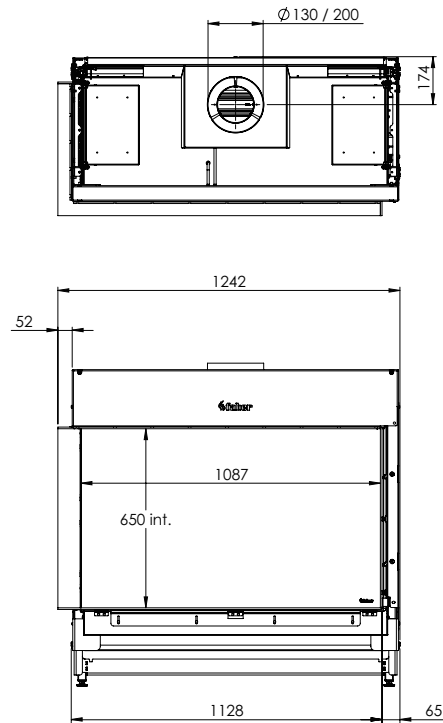


Line drawings **MatriX**



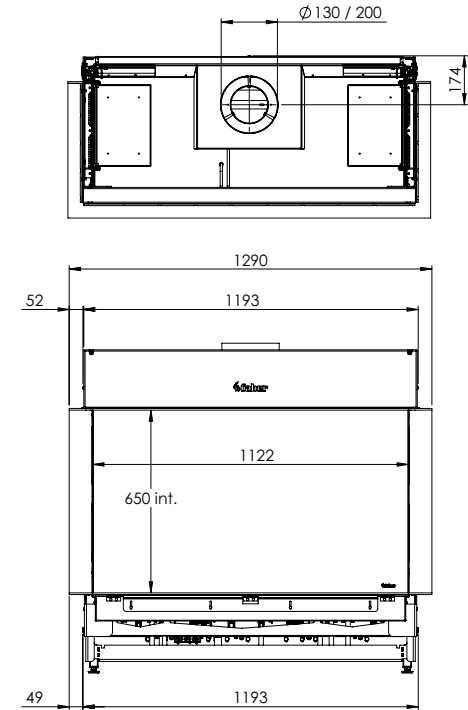
* Incl. optional adjustable feet

MatriX | 1050/650 I



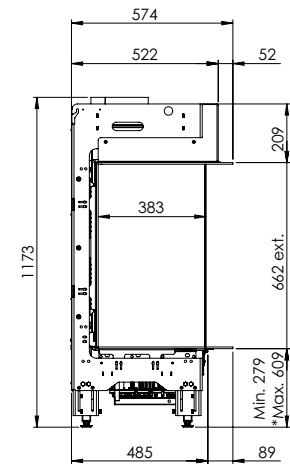
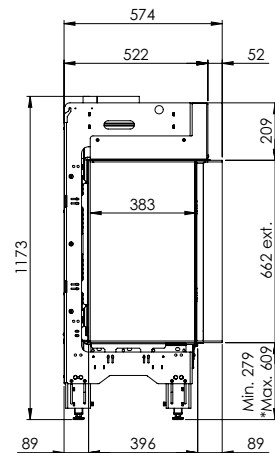
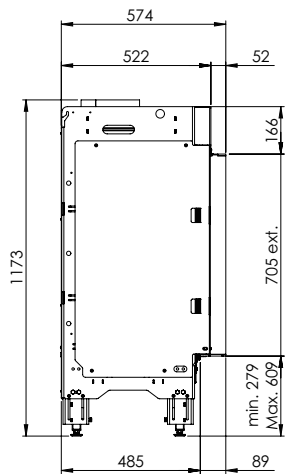
* Incl. optional adjustable feet

MatriX | 1050/650 II



* Incl. optional adjustable feet

MatriX | 1050/650 III







Gas Built-In

Faber built-in gas fires are a statement in themselves. First and foremost because of a fabulously burning fire and the most beautiful finish with life-like decorative logs or modern pebbles. In addition because of the top-quality choice of materials that guarantee years of safe and problem-free enjoyment. Particularly when you operate the fire remotely with a control unit or from your own smartphone.

Faber gas fires are available in a surprising number of versions, dimensions and finishes so you can choose what is best suited to your taste and interior decoration. The Faber specialist is there for you throughout the entire process!

Did you find your favourite Faber fire? It will be built, set and tested by Faber, specifically for you, before we deliver it to the Faber specialist who will install it in your home.



Emberbed Burner

Sparkling fire

The Faber Emberbed Burner produces a compact, yet crackling fire. You can choose to combine the flames with horizontal decorative logs on a bed of ash and amber-coloured stones that enhance the flames' light or with white Carrara pebbles as an alternative. The height of the flames can be set accurately with the supplied remote control. The supplied remote control also has a convenient day timer and thermostat function.



Flat Burner®

Rich, full flames

A Faber Flat Burner® fills almost the entire fire with flames that look full and rich at any flame height over almost the entire width of the fire. You can choose decorative materials, including realistic, horizontal logs or white Carrara pebbles. The height of the flames can be set accurately with the supplied remote control. The supplied remote control also has a convenient timer and a thermostat function.



Step Burner®

Step-by-step control

The Faber Step Burner® enables you to enjoy a lush open fire with several pre-set modes (steps). At high capacity, the flames can be seen over the full width of the fire. At a lower position, the flames are concentrated closer to the middle. A next step will turn the flames down lower. Depending on the model, there is an optional choice of a bed of white Carrara pebbles alongside decoration with beautiful horizontal logs. The main functions of the fire are easy to operate with the standard remote control. Additional functions are available using the Faber app;

Fyn





Fyn | 450

A

Model	Front model
Burner	Emberbed Burner
Exterior dimensions WxHxD in mm	522 x 772 x 315
Fire display WxHxD in mm	448 x 500
Decoration	Log set and White pebbles
Interior	Rear wall smooth steel
Operating system	Mertik
Nominal output (kW)	4.2
Flue material	100/150

Options:

-



Fyn | 600

B

Model	Front model
Burner	Emberbed Burner
Exterior dimensions WxHxD in mm	684 x 649 x 335
Fire display WxHxD in mm	598 x 350
Decoration	Log set and White pebbles
Interior	Rear wall smooth steel
Operating system	Mertik
Nominal output (kW)	4.5
Flue material	100/150

Options:

-

Smart





Smart | Relaxed L

B

Model	Front model
Burner	Flat Burner
Exterior dimensions WxHxD in mm	1143 x 720 x 369
Fire display WxHxD in mm	977 x 426
Decoration	Log set
Interior	Rear wall smooth steel
Operating system	Mertik
Nominal output (kW)	7.1
Flue material	100/150

Options:

-



Smart | Duet M

B

Model	Two-sided model
Burner	Flat Burner
Exterior dimensions WxHxD in mm	786 x 791 x 504
Fire display WxHxD in mm	1087 x 650 x 383
Decoration	Log set
Interior	Rear wall smooth steel
Operating system	Mertik
Nominal output (kW)	8.8
Flue material	100/150

Options:

-



Smart | Duet L

B

Model	Two-sided model
Burner	Flat Burner
Exterior dimensions WxHxD in mm	1095 x 843 x 491
Fire display WxHxD in mm	1994 x 393 x 331
Decoration	Log set
Interior	Rear wall smooth steel
Operating system	Mertik
Nominal output (kW)	9.2
Flue material	100/150

Options:

-

Smart





Smart | Triple M

B

Model	Three-sided model
Burner	Flat Burner
Exterior dimensions WxHxD in mm	795 x 791 x 504
Fire display WxHxD in mm	692 x 470 x 354
Decoration	Log set
Interior	Rear wall smooth steel
Operating system	Mertik
Nominal output (kW)	8.8
Flue material	100/150

Options:

-



Smart | Triple L

B

Model	Three-sided model
Burner	Flat Burner
Exterior dimensions WxHxD in mm	1105 x 843 x 491
Fire display WxHxD in mm	1002 x 393 x 331
Decoration	Log set
Interior	Rear wall smooth steel
Operating system	Mertik
Nominal output (kW)	9.2
Flue material	100/150

Options:

-

Premium





Premium | Respect OC

D

Model	Front model
Burner	Step Burner
Exterior dimensions WxHxD in mm	1104 x 1114 x 427
Fire display WxHxD in mm	1006 x 395 x 288
Decoration (option)	Log set White pebbles
Interior	Black glass rear wall
Operating system	Mertik
Nominal output (kW)	10.8
Flue material	130/200

Options:

ITC App



Premium | Aspect ST L

C

Model	Two-sided model
Burner	Step Burner
Exterior dimensions WxHxD in mm	1445 x 886 x 440
Fire display WxHxD in mm	992 x 390
Decoration (option)	Log set White pebbles
Interior	Rear wall smooth steel
Operating system	Mertik
Nominal output (kW)	8.5
Flue material	130/200

Options:

ITC App



Premium | Aspect ST XL

B

Model	Two-sided model
Burner	Step Burner
Exterior dimensions WxHxD in mm	1745 x 886 x 490
Fire display WxHxD in mm	1292 x 390
Decoration (option)	Log set White pebbles
Interior	Rear wall smooth steel
Operating system	Mertik
Nominal output (kW)	10.9
Flue material	130/200

Options:

ITC App

Premium





Premium | Aspect RD L

C

Model	Front model
Burner	Step Burner
Exterior dimensions WxHxD in mm	440 x 886 x 1460
Fire display WxHxD in mm	336 x 390 x 1002
Decoration (option)	Log set White pebbles
Interior	Rear wall smooth steel
Operating system	Mertik
Nominal output (kW)	8.5
Flue material	130/200

Options:

- ITC App
- Black glass rear wall



Premium | Aspect RD XL

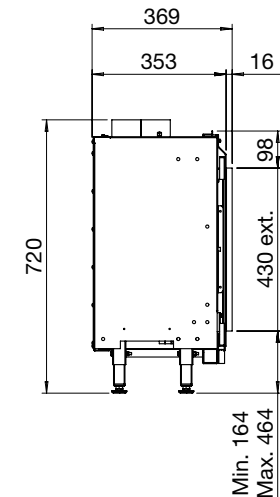
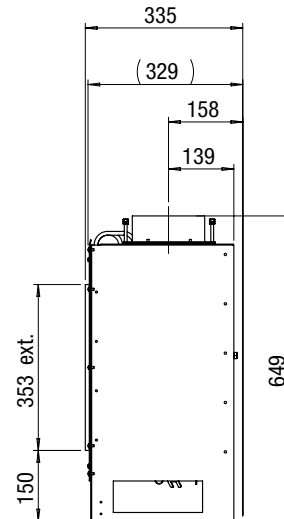
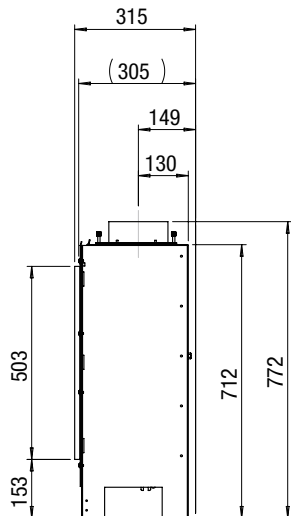
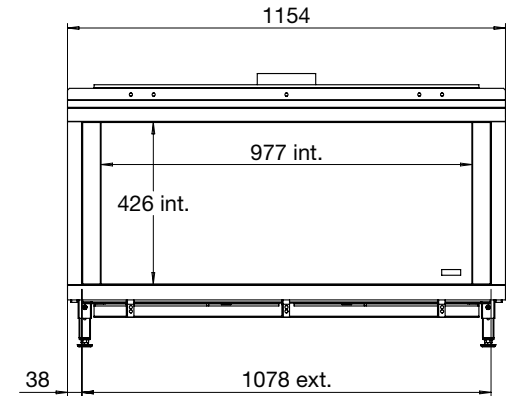
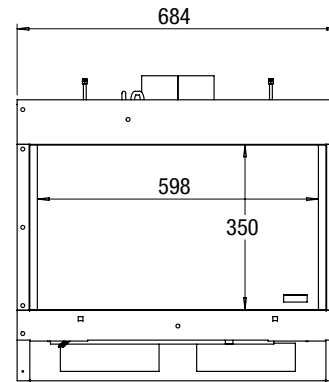
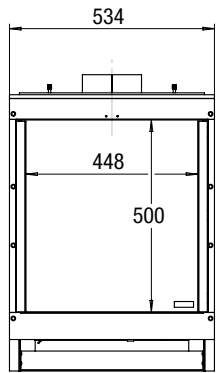
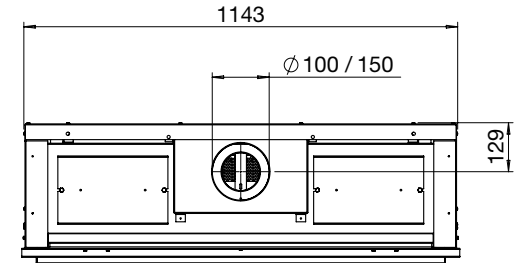
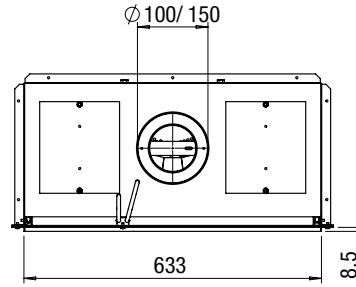
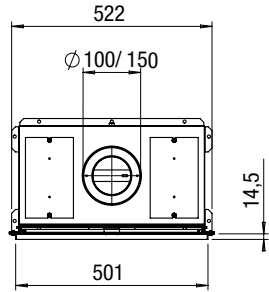
B

Model	Two-sided model
Burner	Step Burner
Exterior dimensions WxHxD in mm	490 x 886 x 1760
Fire display WxHxD in mm	386 x 390 x 1302
Decoration (option)	Log set White pebbles
Interior	Rear wall smooth steel
Operating system	Mertik
Nominal output (kW)	10.9
Flue material	130/200

Options:

- ITC App
- Black glass rear wall

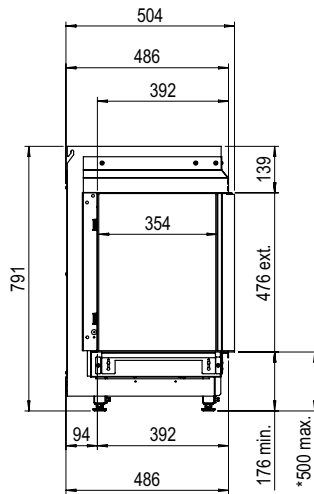
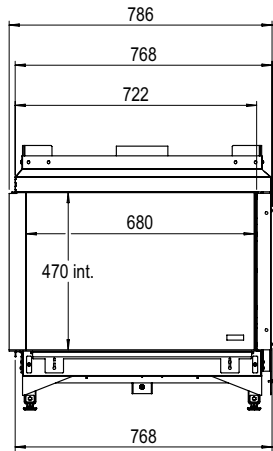
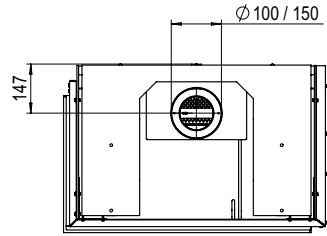
Line drawings Gas Built-In



Fyn | 450

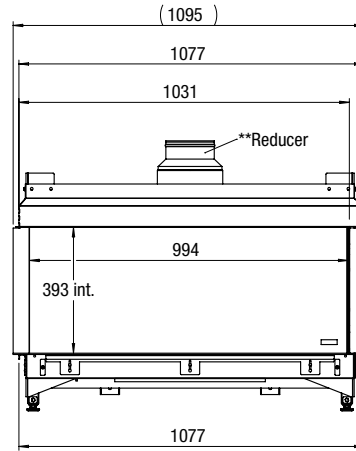
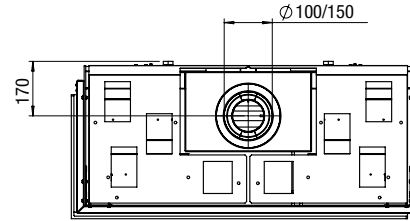
Fyn | 600

Smart | Relaxed L

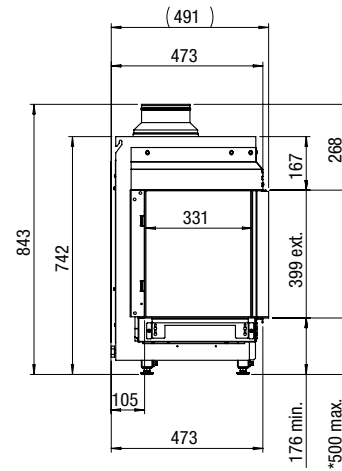


* Incl. optional adjustabel feet

Smart | Duet M

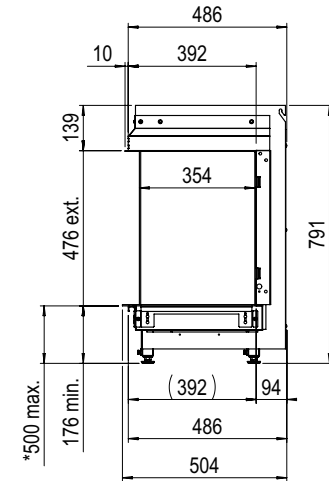
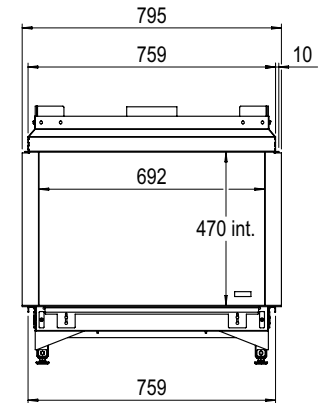
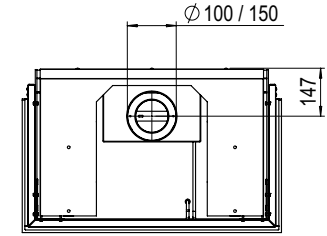


** Comes standard with the gas fire



* Incl. optional adjustable feet

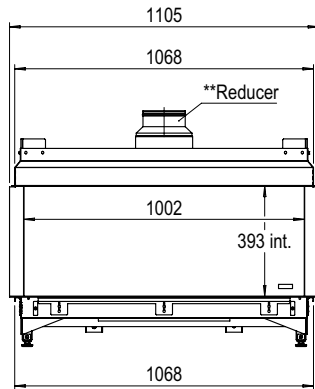
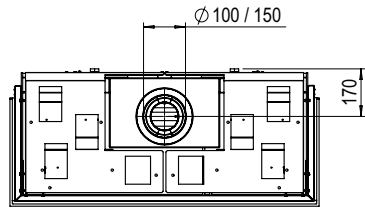
Smart | Duet L



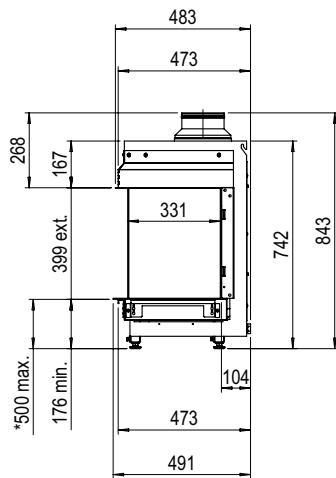
* Incl. optional adjustable feet

Smart | Triple M

Line drawings Gas Built-In

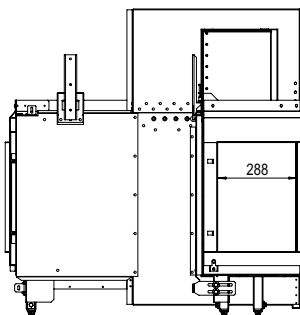
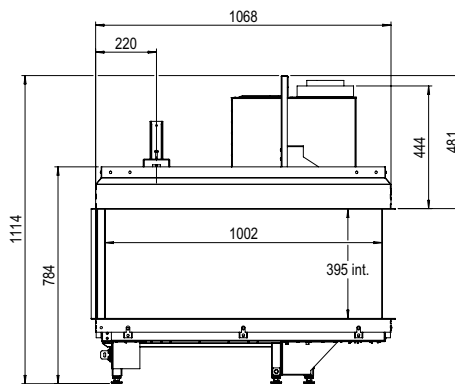
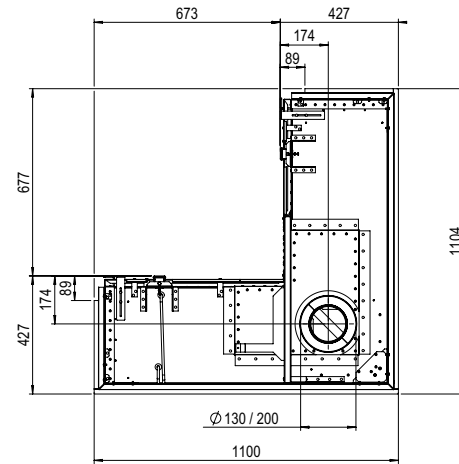


** Comes standard with the gas fire

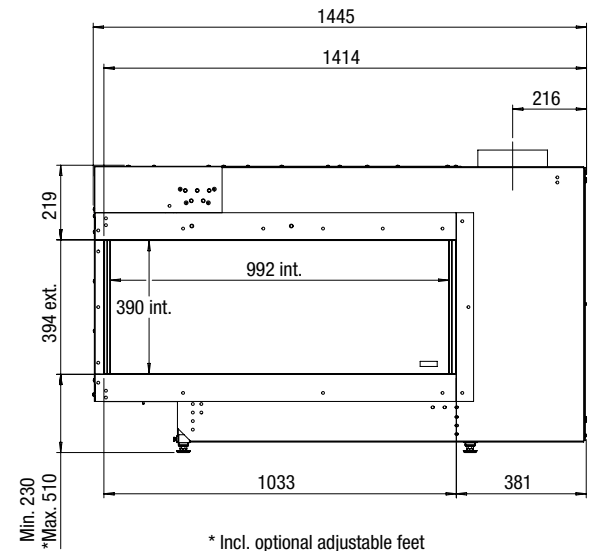
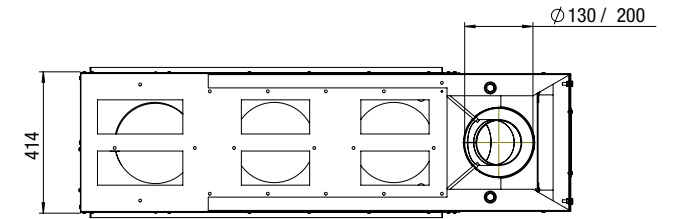


* Incl. optional adjustable feet

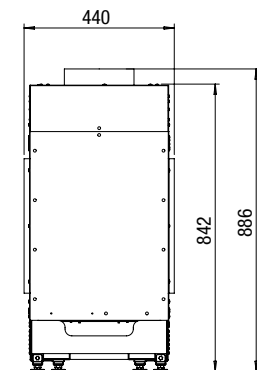
Smart | Triple L



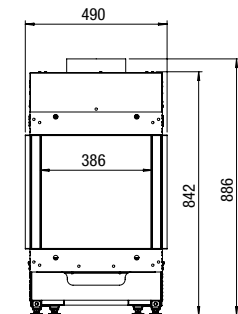
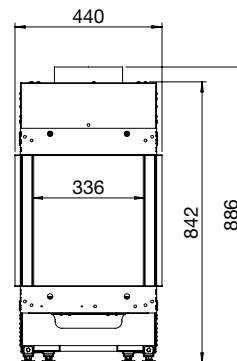
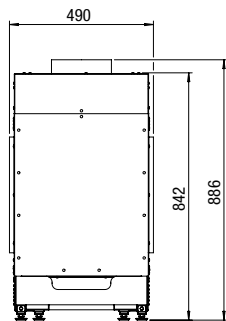
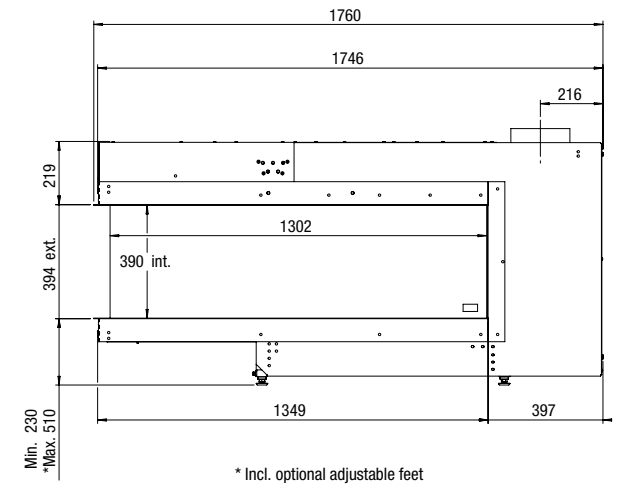
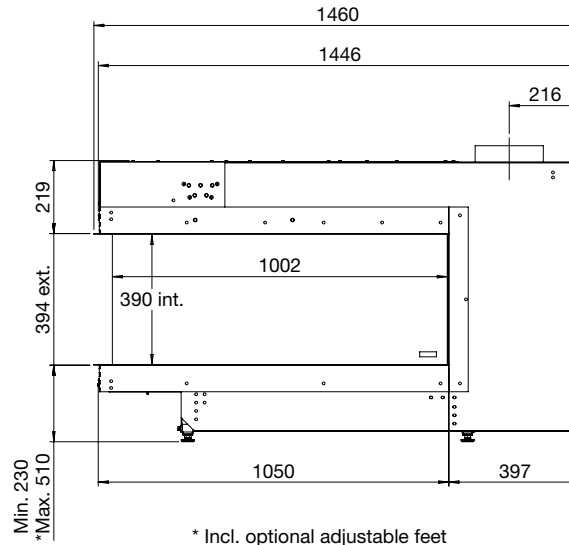
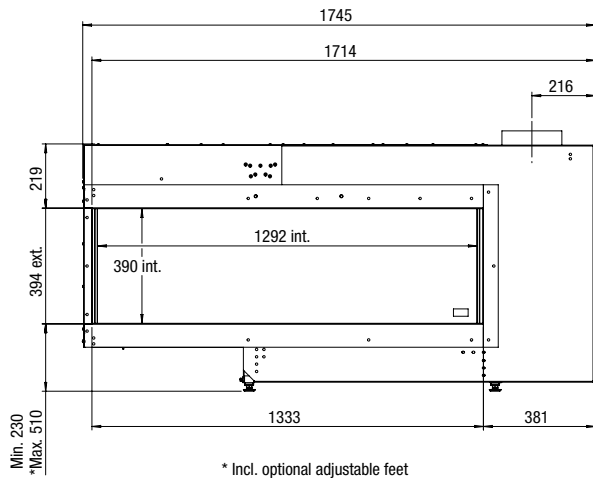
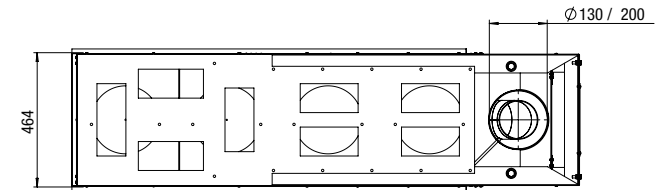
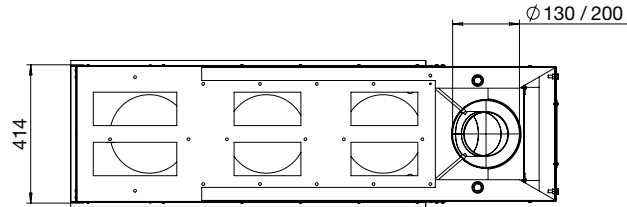
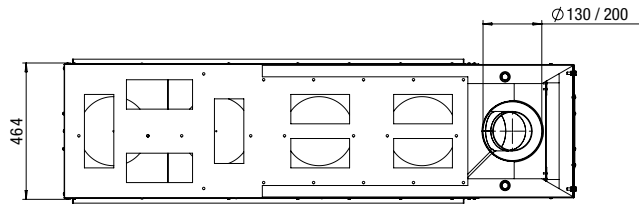
Premium | Respect OC



* Incl. optional adjustable feet



Premium | Aspect ST L



Premium | Aspect ST XL

Premium | Aspect RD L

Premium | Aspect RD XL





Freestanding

A freestanding fire is (often literally) the focal point of a room. A place to gather round! Obviously you simply expect the best in every respect. Faber freestanding fires are for demanding enthusiasts. The fire effect is comparable to that of our beloved gas inset fires; full flames at any height, decorated with life-like decorative logs or white pebbles. Always simple to operate and equipped with the latest technology. The design impresses with its simplicity and careful finish and suits a range of interior designs.

Faber freestanding fires are available in different versions; standing or suspended, with standing or horizontal logs, with three-sided panes, or just a pane at the front. That means plenty of variations, and you can choose what suits your taste and interior. The Faber specialist is there for you throughout the entire process!

Did you find your favourite Faber fire? It will be built, set and tested by Faber, specifically for you, before we deliver it to the Faber specialist who will install it in your home.



Emberbed Burner

Sparkling fire

The Faber Emberbed Burner produces a compact, yet crackling fire. You can choose to combine the flames with horizontal decorative logs on a bed of ash and amber-coloured stones that enhance the flames' light or with white Carrara pebbles as an alternative. The height of the flames can be set accurately with the supplied remote control. The supplied remote control also has a convenient day timer and thermostat function.



Log Burner[®]

The 'original'

A Faber Log Burner gives you the fire of your memories or dreams - beautiful, lively flames that flicker along standing or lying logs. It is easy to control the height of the flames with the supplied remote control, which has a number of convenient additional functions. In the freestanding Faber Blokhus, the Log Burner is combined with the Faber Symbio[®] light module, which lights the ash bed from below and produces an extra warm glow, even when the flames are turned down low or the fire itself is switched off. The Faber Log Burner is a household name in the world of fires.

Farum / Jelling / Odense





Farum |

A

Model	Freestanding
Burner	Emberbed Burner
Exterior dimensions WxHxD in mm	594 x 944 x 323
Fire display WxHxD in mm	450 x 501
Decoration	Log set White pebbles
Interior	Rear wall smooth steel
Operating system	Mertik
Nominal output (kW)	4.2
Flue material	100/150

Options:

-



Jelling |

A

Model	Freestanding
Burner	Log Burner
Exterior dimensions WxHxD in mm	550 x 820 x 400
Fire display WxHxD in mm	460 x 335 x 250
Decoration	Log set
Interior	Rear wall steel slats
Operating system	Mertik
Nominal output (kW)	6.1
Flue material	100/150

Options:

-



Odense |

A

Model	Freestanding
Burner	Log Burner
Exterior dimensions WxHxD in mm	1560 x 980 x 400
Fire display WxHxD in mm	375 x 335 x 230
Decoration	Log set
Interior	Rear wall steel slats
Operating system	Mertik
Nominal output (kW)	6.1
Flue material	100/150

Options:

-

Skive / Vaska / Blokhus





Skive |

A

Model	Freestanding
Burner	Log Burner
Exterior dimensions WxHxD in mm	550 x 672 x 479
Fire display WxHxD in mm	450 x 501
Decoration	Log set
Interior	Rear wall steel slats
Operating system	Mertik
Nominal output (kW)	6.1
Flue material	100/150

Options:

-



Vaska | Vaska Soapstone

A

Model	Freestanding
Burner	Log Burner
Exterior dimensions WxHxD in mm	472 x 1125 x 457
Fire display WxHxD in mm	323 x 422
Decoration	Log set
Interior	Rear wall smooth steel
Operating system	Mertik
Nominal output (kW)	6.4
Flue material	100/150

Options:

-



Blokhus |

A

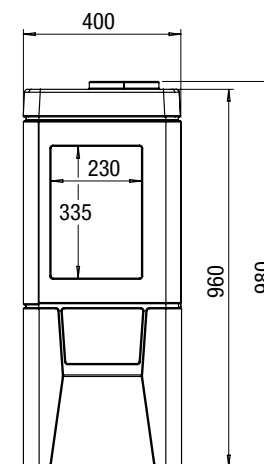
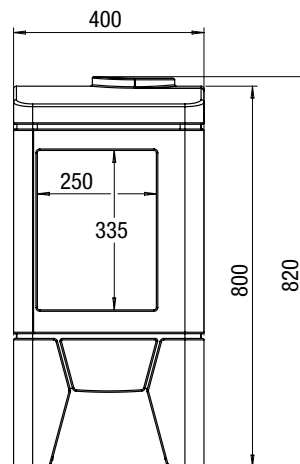
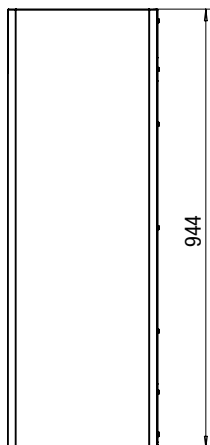
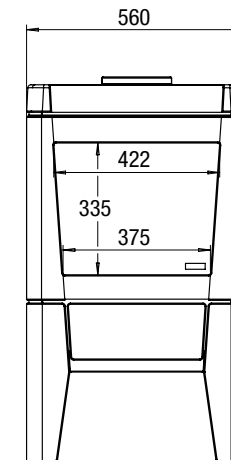
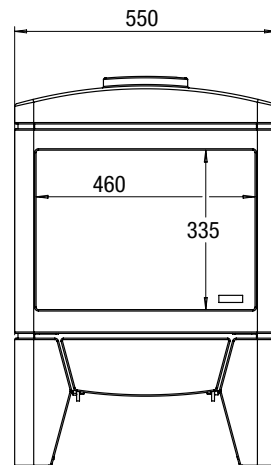
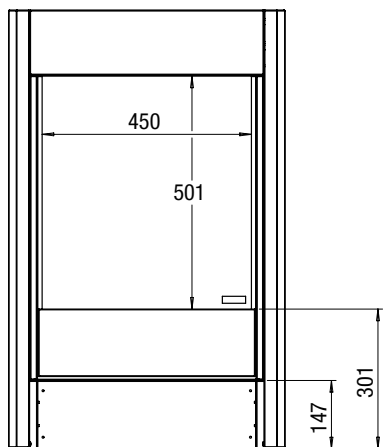
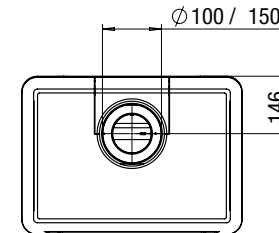
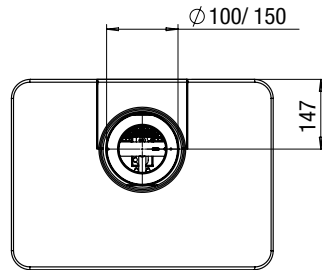
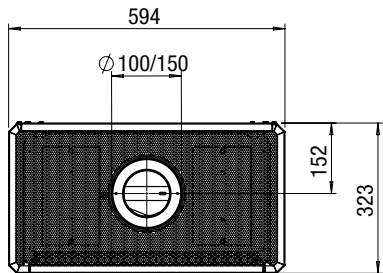
Model	Freestanding
Burner	Log Burner
Exterior dimensions WxHxD in mm	560 x 1090 x 435
Fire display WxHxD in mm	435 x 330 x 247
Decoration	Log set
Embers	Symbio®
Interior	Rear wall steel slats
Operating system	Mertik
Nominal output (kW)	6.1
Flue material	100/150

Options:

Single Module
Double Module

Eco Module

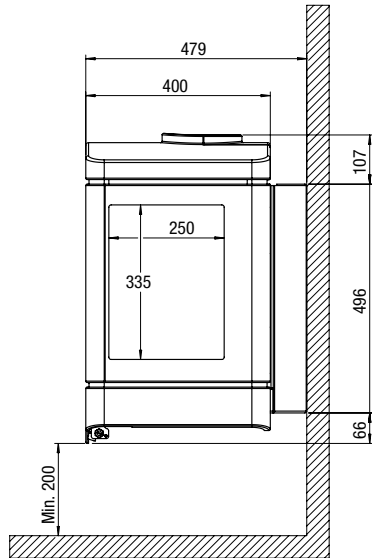
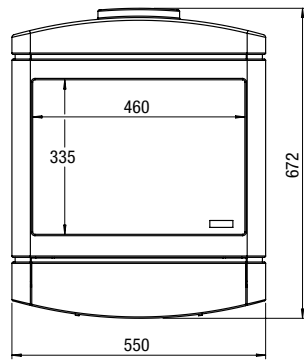
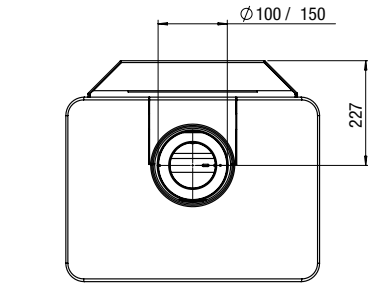
Line drawings Freestanding



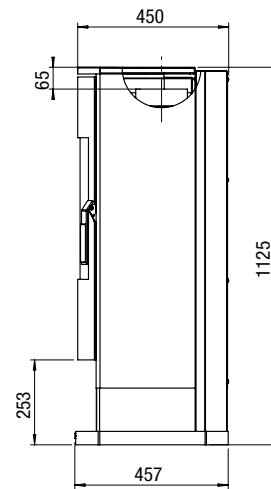
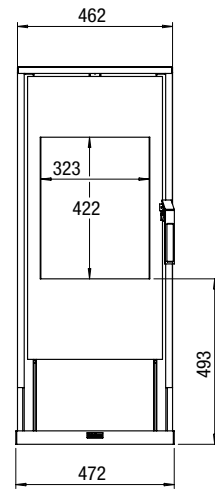
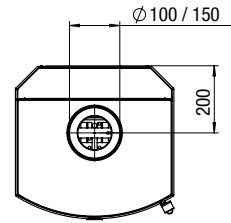
Farum |

Jelling |

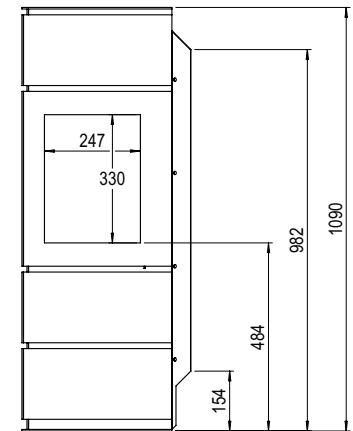
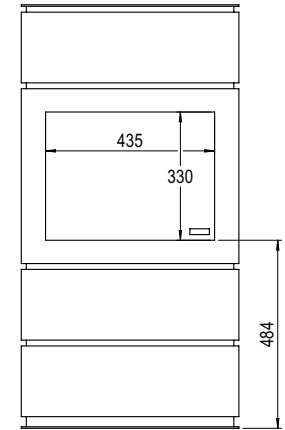
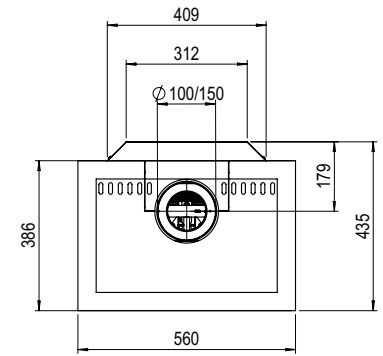
Odense |



Skive |



Vaska |



Blokhus |

MatriX Hybrid

	Dimensions		Burner	Decoration options				Glowing embers lighting									
	Exterior dimensions WxHxD in mm			Fire display WxHxD in mm		Log set	White pebbles	Acrylic ice	Log set with large logs	HPL	Symbio®						
MatriX 800/500 I	943	x	1023	x	574	800	x	500	Log Burner 3.0	●	-	-	-	o	-		
MatriX 800/500 II	992	x	1023	x	574	837	x	500	x	383	Log Burner 3.0	●	-	-	-	o	-
MatriX 800/500 III	1040	x	1023	x	574	872	x	500	x	383	Log Burner 3.0	●	-	-	-	o	-
MatriX 800/500 RD	1354	x	1057	x	598	850	x	500	x	400	Log Burner 3.0	●	-	-	-	o	-
MatriX 800/500 ST	1301	x	1057	x	598	821	x	500	Log Burner 3.0	●	-	-	-	o	-		
MatriX 800/650 I	943	x	1173	x	574	800	x	650	Log Burner 3.0	●	-	-	-	o	-		
MatriX 800/650 II	992	x	1173	x	574	837	x	650	x	383	Log Burner 3.0	●	-	-	-	o	-
MatriX 800/650 III	1040	x	1173	x	574	872	x	650	x	383	Log Burner 3.0	●	-	-	-	o	-
MatriX 1050/500 I	1193	x	1023	x	574	1050	x	500	Log Burner 3.0	●	-	-	-	o	-		
MatriX 1050/500 II	1242	x	1023	x	574	1087	x	500	x	383	Log Burner 3.0	●	-	-	-	o	-
MatriX 1050/500 III	1290	x	1023	x	574	1122	x	500	x	383	Log Burner 3.0	●	-	-	-	o	-
MatriX 1050/500 RD	1604	x	1057	x	598	1100	x	500	x	400	Log Burner 3.0	●	-	-	-	o	-
MatriX 1050/500 ST	1551	x	1057	x	598	1071	x	500	Log Burner 3.0	●	-	-	-	o	-		
MatriX 1050/650 I	1193	x	1173	x	574	1050	x	650	Log Burner 3.0	●	-	-	-	o	-		
MatriX 1050/650 II	1242	x	1173	x	574	1087	x	650	x	383	Log Burner 3.0	●	-	-	-	o	-
MatriX 1050/650 III	1290	x	1173	x	574	1122	x	650	x	383	Log Burner 3.0	●	-	-	-	o	-

- = standard
- o = optional
- = not available

A number of options are available at a surcharge

Interior		Remote control		Options (at a surcharge)			Capacity		Operating system	Energy label	Flue material
Rear wall smooth steel	Black glass rear wall	Remote control	App controls	Non-reflective glass	Wall bracket	Adjustable feet	Minimal output in kW	Nominal output in kW			
●	○	●	●	○	○	○	1,7	10,1	Honeywell	B	130/200
●	○	●	●	○	○	○	1,7	10,1	Honeywell	B	130/200
●	○	●	●	○	○	○	1,7	10,1	Honeywell	B	130/200
●	○	●	●	○	○	○	1,5	10,7	Honeywell	B	130/200
●	○	●	●	○	○	○	1,5	10,7	Honeywell	B	130/200
●	○	●	●	○	○	○	1,7	10,3	Honeywell	B	130/200
●	○	●	●	○	○	○	1,7	10,3	Honeywell	B	130/200
●	○	●	●	○	○	○	1,7	10,3	Honeywell	B	130/200
●	○	●	●	○	○	○	1,6	10,0	Honeywell	B	130/200
●	○	●	●	○	○	○	1,6	10,0	Honeywell	B	130/200
●	○	●	●	○	○	○	1,6	10,0	Honeywell	B	130/200
●	○	●	●	○	○	○	1,5	10,7	Honeywell	B	130/200
●	○	●	●	○	○	○	1,5	10,7	Honeywell	B	130/200
●	○	●	●	○	○	○	1,6	10,1	Honeywell	B	130/200
●	○	●	●	○	○	○	1,6	10,1	Honeywell	B	130/200
●	○	●	●	○	○	○	1,6	10,1	Honeywell	B	130/200

It is not possible to derive any rights from the listed values. Fires on biopropane or propane have a lower flame height. Efficiency, capacity, energy-efficiency index and energy-efficiency class on the basis of gas type G20.

MatriX Linear

	Dimensions		Burner	Decorative options		Glowing embers lighting	Interior									
	Exterior dimensions WxHxD in mm			Fire display WxHxD in mm			Log set	White pebbles	Symbio®	Rear wall smooth steel	Black glass rear wall					
MatriX 800/400 I	933	x	827	x	452	800	x	400	Double Line Burner	o	o	-	●	o		
MatriX 800/400 II	987	x	827	x	452	835	x	400	x	257	Double Line Burner	o	o	-	●	o
MatriX 800/400 III	1040	x	827	x	452	872	x	400	x	257	Double Line Burner	o	o	-	●	o
MatriX 1050/400 I	1183	x	827	x	452	1050	x	400	Double Line Burner	o	o	-	●	o		
MatriX 1050/400 II	1237	x	827	x	452	1085	x	400	x	257	Double Line Burner	o	o	-	●	o
MatriX 1050/400 III	1290	x	827	x	452	1122	x	400	x	257	Double Line Burner	o	o	-	●	o
MatriX 1300/400 I	1433	x	827	x	452	1300	x	400	Double Line Burner	o	o	-	●	o		
MatriX 1300/400 II	1487	x	827	x	452	1335	x	400	x	257	Double Line Burner	o	o	-	●	o
MatriX 1300/400 III	1540	x	827	x	452	1372	x	400	x	257	Double Line Burner	o	o	-	●	o

- = standard
- = optional
- = not available

A number of options are available at a surcharge

Remote control		Options (at a surcharge)			Capacity		Operating system	Energy label	Flue material
Remote control	App controls	Non-reflective glass	Wall bracket	Adjustable feet	Minimal output in kW	Nominal output in kW			
●	●	o	o	o	2.5	7.1	Honeywell	B	130/200
●	●	o	o	o	2.5	7.1	Honeywell	B	130/200
●	●	o	o	o	2.5	7.1	Honeywell	B	130/200
●	●	o	o	o	3.0	8.7	Honeywell	A	130/200
●	●	o	o	o	3.0	8.7	Honeywell	A	130/200
●	●	o	o	o	3.0	8.7	Honeywell	A	130/200
●	●	o	o	o	3.2	10.5	Honeywell	B	130/200
●	●	o	o	o	3.2	10.5	Honeywell	B	130/200
●	●	o	o	o	3.2	10.5	Honeywell	B	130/200

It is not possible to derive any rights from the listed values. Fires on biopropane or propane have a lower flame height.
Efficiency, capacity, energy-efficiency index and energy-efficiency class on the basis of gas type G20.

MatriX

	Dimensions		Burner	Decoration options			Glowing embers lighting	Interior	
	Exterior dimensions WxHxD in mm	Fire display WxHxD in mm		Log set	White pebbles	Log set with large logs		Symbio®	Rear wall smooth steel
MatriX 450/500 III	690 x 927 x 502	522 x 500 x 308	Log Burner 2.0	●	-	-	o	●	o
MatriX 450/650 I	584 x 1077 x 497	450 x 650	Log Burner 2.0	●	-	-	o	●	o
MatriX 450/650 II	637 x 1077 x 502	485 x 650 x 308	Log Burner 2.0	●	-	-	o	●	o
MatriX 450/650 III	690 x 1077 x 502	522 x 650 x 308	Log Burner 2.0	●	-	-	o	●	o
MatriX 800/500 I	943 x 1023 x 574	800 x 500	Log Burner 2.0	●	-	-	o	●	o
MatriX 800/500 II	992 x 1023 x 574	837 x 500 x 383	Log Burner 2.0	●	-	-	o	●	o
MatriX 800/500 III	1040 x 1023 x 574	872 x 500 x 383	Log Burner 2.0	●	-	-	o	●	o
MatriX 800/500 RD	1329 x 1024 x 592	400 x 500 x 400	Log Burner 2.0	-	-	●	o	●	o
MatriX 800/500 ST	1267 x 1024 x 592	800 x 500	Log Burner 2.0	-	-	●	o	●	o
MatriX 800/650 I	943 x 1173 x 574	800 x 650	Log Burner 2.0	●	-	-	o	●	o
MatriX 800/650 II	992 x 1173 x 574	837 x 650 x 383	Log Burner 2.0	●	-	-	o	●	o
MatriX 800/650 III	1040 x 1173 x 574	872 x 650 x 383	Log Burner 2.0	●	-	-	o	●	o
MatriX 1050/500 I	1193 x 1023 x 574	1050 x 500	Log Burner 2.0	●	-	-	o	●	o
MatriX 1050/500 II	1242 x 1023 x 574	1087 x 500 x 383	Log Burner 2.0	●	-	-	o	●	o
MatriX 1050/500 III	1290 x 1023 x 574	1122 x 500 x 383	Log Burner 2.0	●	-	-	o	●	o
MatriX 1050/650 I	1193 x 1173 x 574	1050 x 650	Log Burner 2.0	●	-	-	o	●	o
MatriX 1050/650 II	1242 x 1173 x 574	1087 x 650 x 383	Log Burner 2.0	●	-	-	o	●	o
MatriX 1050/650 III	1290 x 1173 x 574	1122 x 650 x 383	Log Burner 2.0	●	-	-	o	●	o

- = standard
- o = optional
- = not available

A number of options are available at a surcharge

Remote control			Options (at a surcharge)			Capacity		Operating system	Energy label	Flue material
Remote control	Bluetooth communication	App controls	Non-reflective glass	Wall bracket	Adjustable feet	Minimal output in kW	Nominal output in kW			
●	-	●	o	o	o	3.2	6.8	Mertik	A	100/150
●	-	●	o	o	o	3.2	6.8	Mertik	A	100/150
●	-	●	o	o	o	3.2	6.8	Mertik	A	100/150
●	-	●	o	o	o	3.2	6.8	Mertik	A	100/150
●	●	●	o	o	o	4.1	8.1	Honeywell	B	130/200
●	●	●	o	o	o	4.1	8.1	Honeywell	B	130/200
●	●	●	o	o	o	4.1	8.1	Honeywell	B	130/200
●	●	●	o	-	o	3.5	10.5	Honeywell	B	130/200
●	●	●	o	-	o	3.5	10.5	Honeywell	B	130/200
●	●	●	o	o	o	4.3	10.0	Honeywell	B	130/200
●	●	●	o	o	o	4.3	10.0	Honeywell	B	130/200
●	●	●	o	o	o	4.3	10.0	Honeywell	B	130/200
●	●	●	o	o	o	4.1	8.1	Honeywell	B	130/200
●	●	●	o	o	o	4.1	8.1	Honeywell	B	130/200
●	●	●	o	o	o	4.1	8.1	Honeywell	B	130/200
●	●	●	o	o	o	4.1	8.1	Honeywell	B	130/200
●	●	●	o	o	o	4.3	10.0	Honeywell	B	130/200
●	●	●	o	o	o	4.3	10.0	Honeywell	B	130/200
●	●	●	o	o	o	4.3	10.0	Honeywell	B	130/200

It is not possible to derive any rights from the listed values. Fires on biopropane or propane have a lower flame height. Efficiency, capacity, energy-efficiency index and energy-efficiency class on the basis of gas type G20.

Gas Built-In

	Dimensions		Burner	Decoration options	
	Exterior dimensions WxHxD in mm	Fire display WxHxD in mm		Log set	White pebbles
Fyn 450	522 x 772 x 315	448 x 500	Emberbed Burner	●	●
Fyn 600	684 x 649 x 335	598 x 350	Emberbed Burner	●	●
Smart Relaxed L	1143 x 720 x 369	977 x 426	Flat Burner	●	-
Smart Duet M	786 x 791 x 504	680 x 470 x 354	Flat Burner	●	-
Smart Duet L	1095 x 843 x 491	994 x 393 x 331	Flat Burner	●	-
Smart Triple M	795 x 791 x 504	692 x 470 x 354	Flat Burner	●	-
Smart Triple L	1105 x 843 x 491	1002 x 393 x 331	Flat Burner	●	-
Premium Respect OC	1104 x 1114 x 427	1006 x 395 x 288	Step Burner	●	○
Premium Aspect ST L	1445 x 886 x 440	992 x 390	Step Burner	●	○
Premium Aspect ST XL	1745 x 886 x 490	1292 x 390	Step Burner	●	○
Premium Aspect RD L	440 x 886 x 1460	336 x 390 x 1002	Step Burner	●	○
Premium Aspect RD XL	490 x 886 x 1760	386 x 390 x 1302	Step Burner	●	○

- = standard
- = optional
- = not available

A number of options are available at a surcharge

Interior		Remote control		Capacity		Operating system	Energy label	Flue material
Rear wall smooth steel	Black glass rear wall	Remote control	App controls	Minimal output in kW	Nominal output in kW			
●	-	●	-	1.5	4.2	Mertik	A	100/150
●	-	●	-	1.9	4.5	Mertik	B	100/150
●	-	●	-	3.3	7.1	Mertik	B	100/150
●	-	●	-	5	8.8	Mertik	B	100/150
●	-	●	-	4.9	9.2	Mertik	B	100/150
●	-	●	-	5	8.8	Mertik	B	100/150
●	-	●	-	4.9	9.2	Mertik	B	100/150
-	●	●	o	4.4	10.8	Mertik	D	130/200
●	-	●	o	3.2	8.5	Mertik	C	130/200
●	-	●	o	4.2	10.9	Mertik	B	130/200
●	o	●	o	3.2	8.5	Mertik	C	130/200
●	o	●	o	4.2	10.9	Mertik	B	130/200

It is not possible to derive any rights from the listed values. Fires on biopropane or propane have a lower flame height. Efficiency, capacity, energy-efficiency index and energy-efficiency class on the basis of gas type G20.

Freestanding

	Dimensions		Burner	Decoration options		Glowing embers lighting
	Exterior dimensions WxHxD in mm	Fire display WxHxD in mm		Log set	White pebbles	Symbio®
Farum	594 x 944 x 323	450 x 501	Emberbed Burner	●	●	-
Jelling	550 x 820 x 400	460 x 335 x 250	Log Burner	●	-	-
Odense	560 x 980 x 400	375 x 335 x 230	Log Burner	●	-	-
Skive	550 x 672 x 479	460 x 335 x 250	Log Burner	●	-	-
Vaska	472 x 1125 x 457	323 x 422	Log Burner	●	-	-
Vaska Soapstone	472 x 1125 x 457	323 x 422	Log Burner	●	-	-
Blokhus	560 x 1090 x 435	435 x 330 x 247	Log Burner	●	-	●

- = standard
- = optional
- = not available

A number of options are available at a surcharge

Interior		Remote control		Capacity		Energy label	Flue material
Rear wall smooth steel	Rear wall steel slats	Remote control	App controls	Minimal output in kW	Nominal output in kW		
●	-	●	-	1.5	4.2	A	100/150
-	●	●	-	3.0	6.1	A	100/150
-	●	●	-	3.0	6.1	A	100/150
-	●	●	-	3.0	6.1	A	100/150
●	-	●	-	3.9	6.4	A	100/150
●	-	●	-	3.9	6.4	A	100/150
●	-	●	-	3.0	6.1	A	100/150

It is not possible to derive any rights from the listed values. Fires on biopropane or propane have a lower flame height. Efficiency, capacity, energy-efficiency index and energy-efficiency class on the basis of gas type G20.



The Faber specialist is pleased to help you!

Want to enrich your house with a Faber fireplace, but how? Would you like an inspirational design that suits all your wishes and requirements? Faber has a network of selected fire specialists who are here to help. Committed and experienced enthusiasts who are familiar with the possibilities of Faber fires, and who have various Faber models on display. They are keen to advise and like to consider how you can translate your personal wishes into an appealing and attractive interior design. They also deal with professional installation. Check the Faber website for a Faber specialist near you.



Draw a dream fire

To measure is to know

All our Faber fireplaces are included in the well-known online design software known as 'SketchUp' and 'PaletteCad'. Would you like to start lending shape to your idea? Check out www.sketchup.nl and www.palettecad.info/ontwerpen/

Your nearest Faber dealer, who can be found via www.faberfires.com, will help you to complete your design.

Your dealer:

Disclaimer

We have produced this publication with the greatest possible care. However the information, including drawings, in this publication may be represented incorrectly, it may have changed or been supplemented. This publication is subject to change. Glen Dimplex Benelux BV is not responsible for the consequences of actions, decisions or results that are solely based on the information in this publication. We emphasise that the correct installation and safe operation should be in accordance with the applicable rules and regulations, the manual, and the expertise and advice of an expert. The photos in this publication only represent examples of possible configurations. Whilst stocks last. Our terms and conditions of delivery are available upon request.



Saturnus 8, NL-8448 CC Heerenveen
PO Box 219, NL-8440 AE Heerenveen

t +31 513 656 500
e info@faberfires.com

faberfires.com

@faberhaarden



FaberInternational



Proud brand of:

